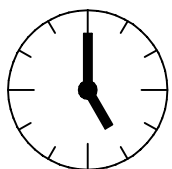
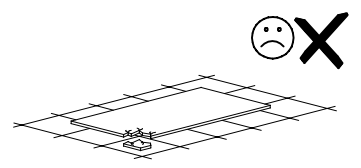
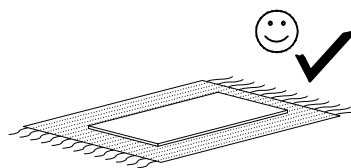
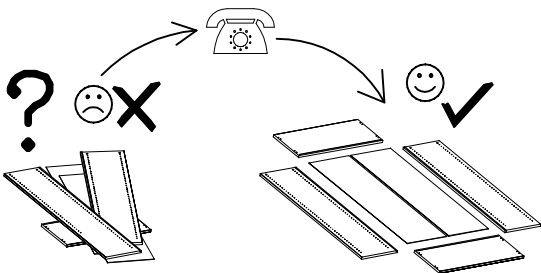
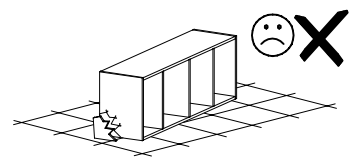
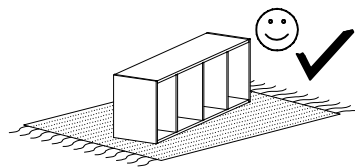
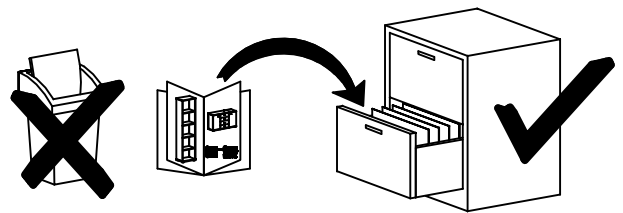
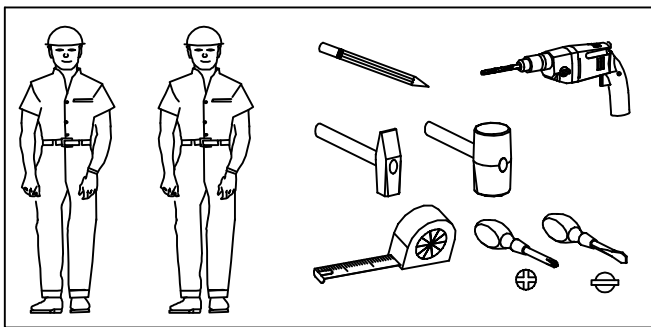
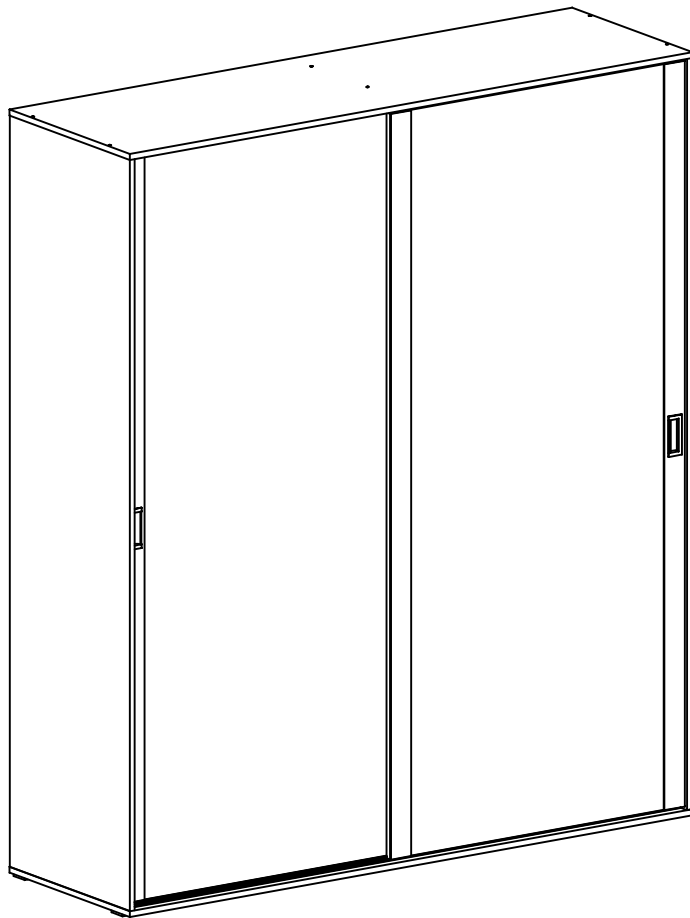
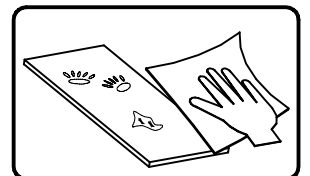
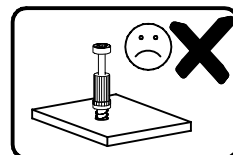
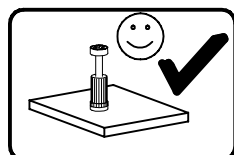


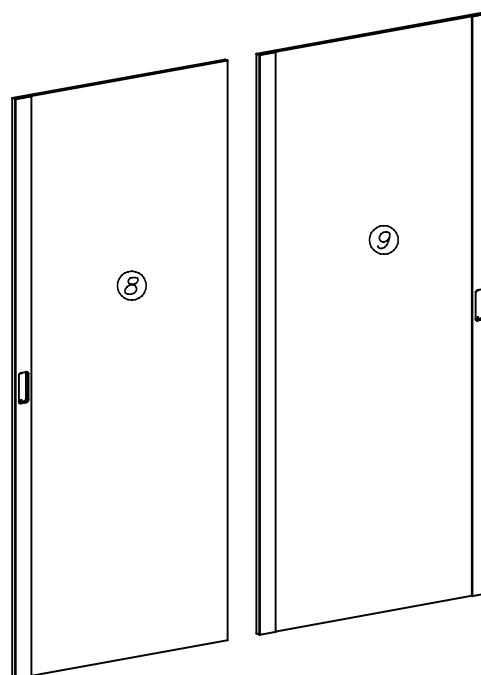
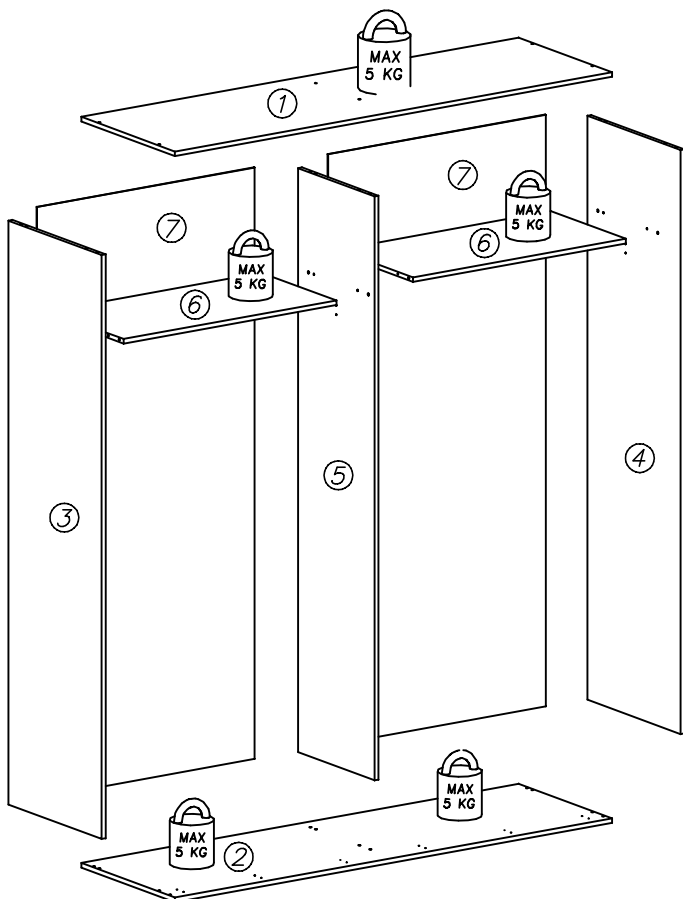
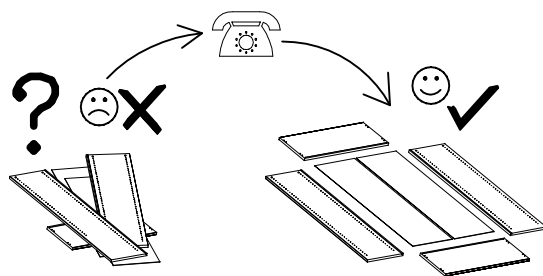
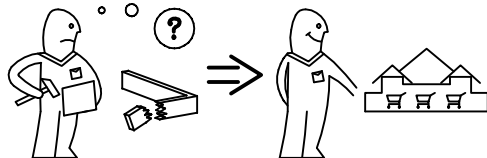
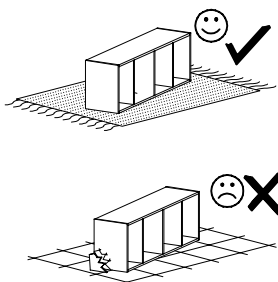
Armario LARA puertas correderas


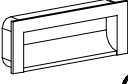

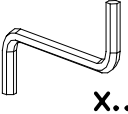






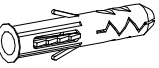
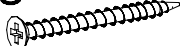


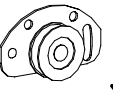


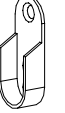
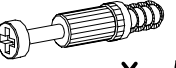


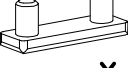



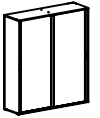
2,5h



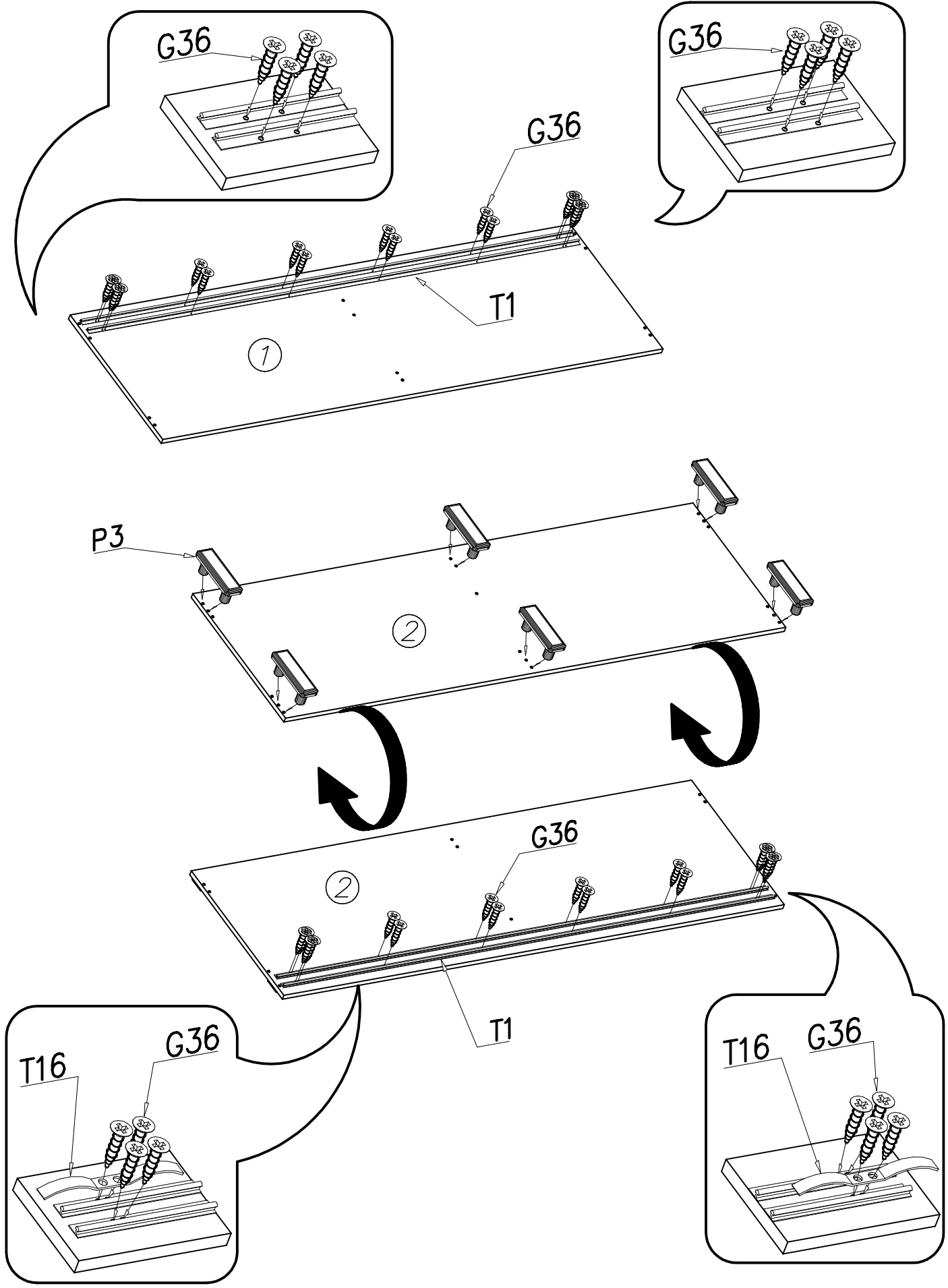
Armario LARA puertas correderas

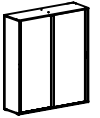


G22  3,5x16 x...(4)	E72  96mm x...(2)			
W2  x...(1)	T5  x...(4)	G36  3,5x13 x...(72)	S5  866mm x...(2)	S2  x...(20)
A1  ø7x50 x...(12)	M11  x...(2)	U6  ø8x40 x...(2)	G28  4x60 x...(2)	G2  3x20 x...(100)
K1  ø15x12 x...(8)	T4  x...(4)	T1  1766mm x...(4)	T19  2022mm x...(2)	S8  x...(4)
K5  x...(8)	B1  ø8x35 x...(20)	I7  x...(8)	P3  x...(6)	T16  x...(2)

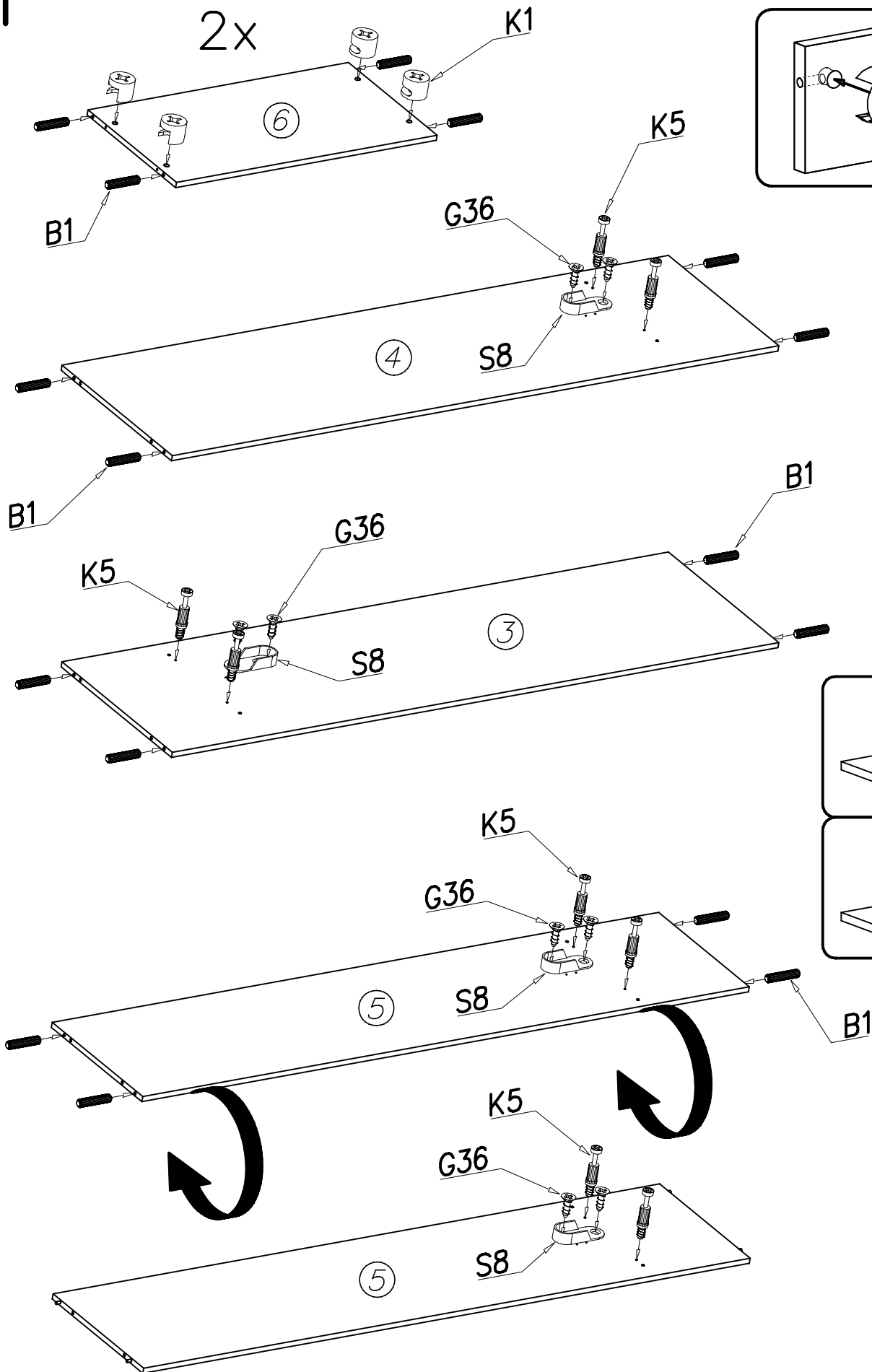


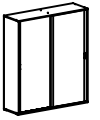
I



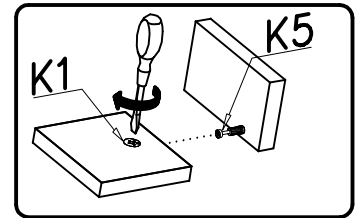
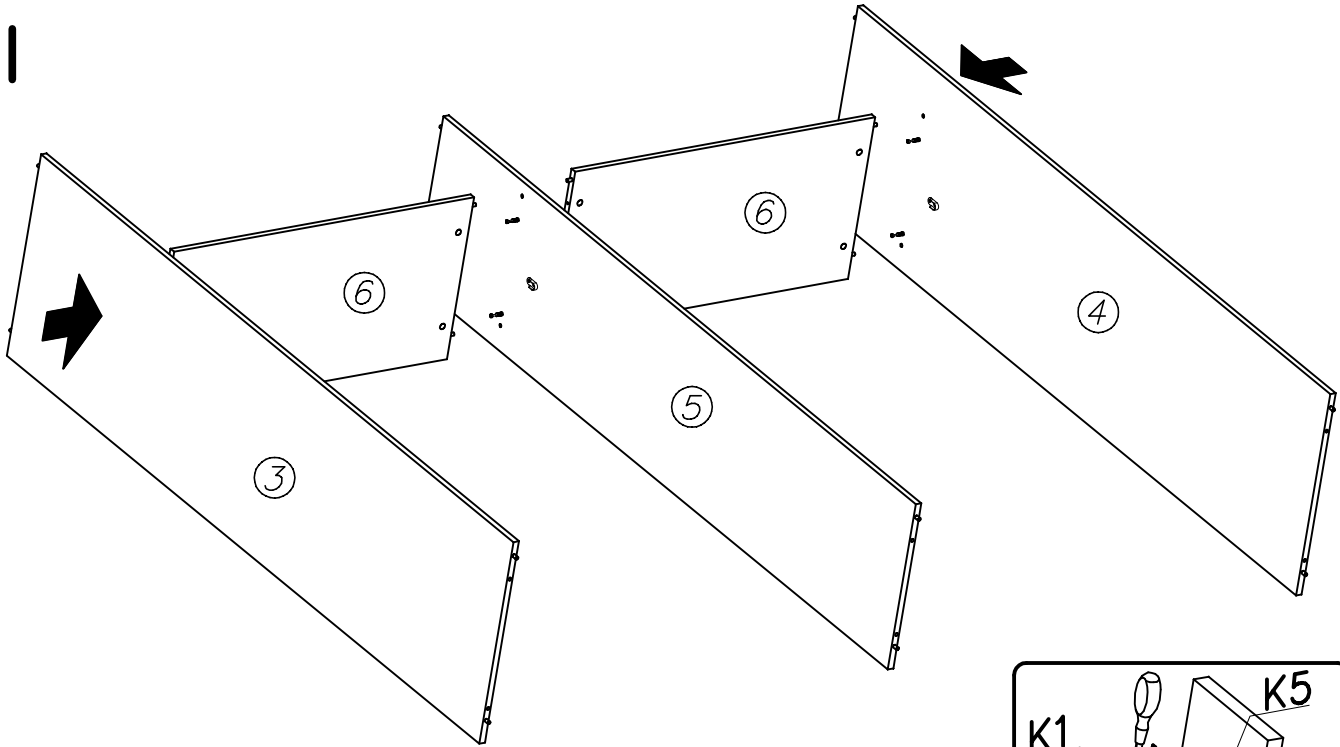


II

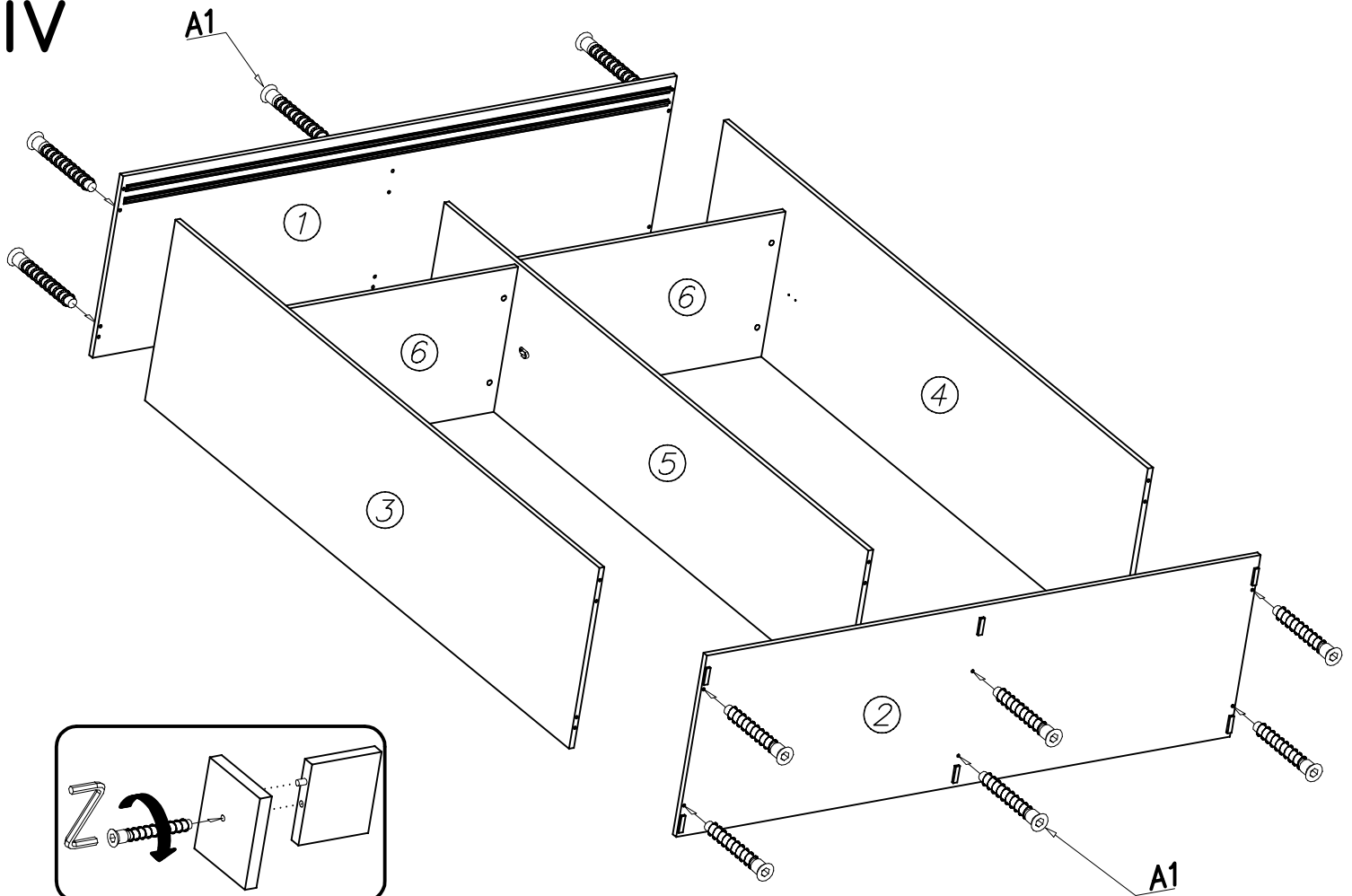


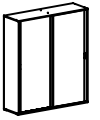


III

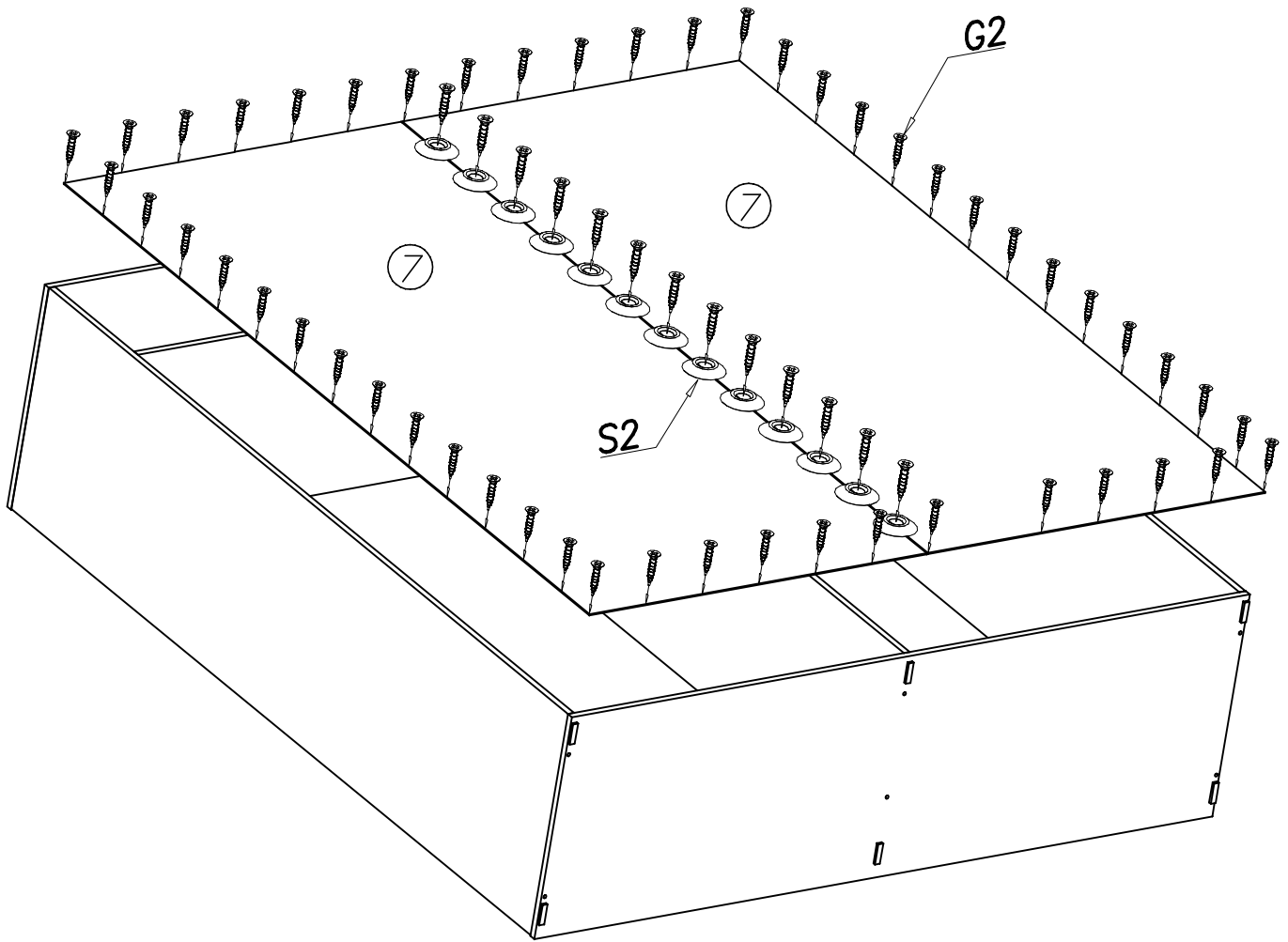


IV

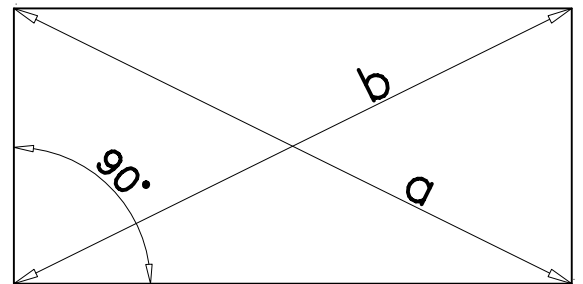
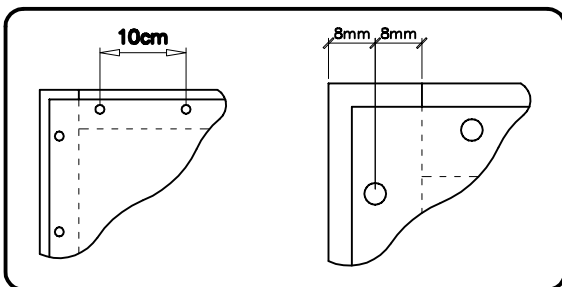


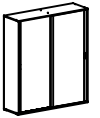


V

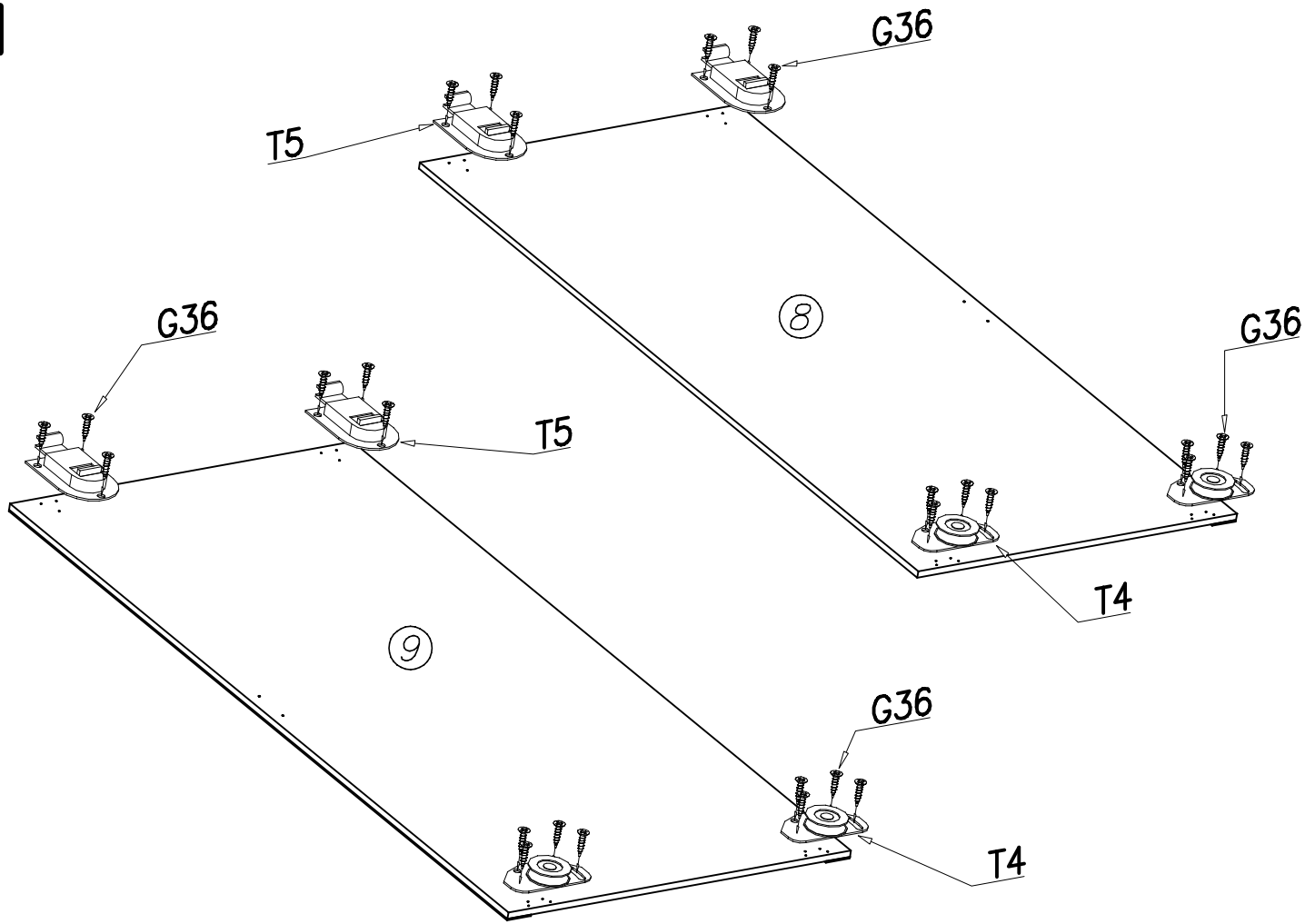


$$a = b$$

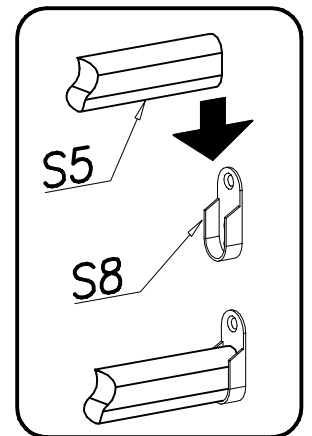
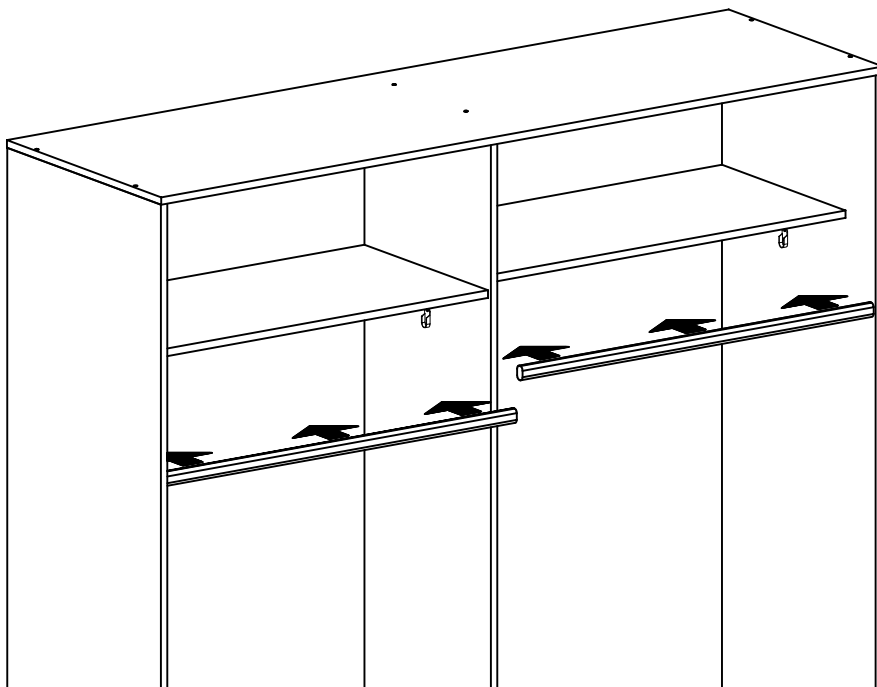


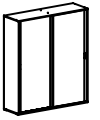


VI

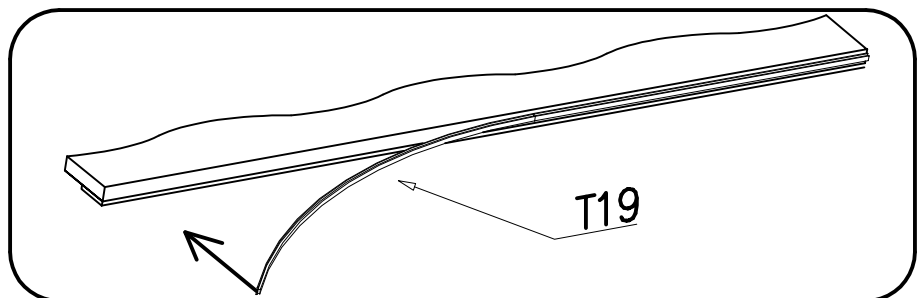
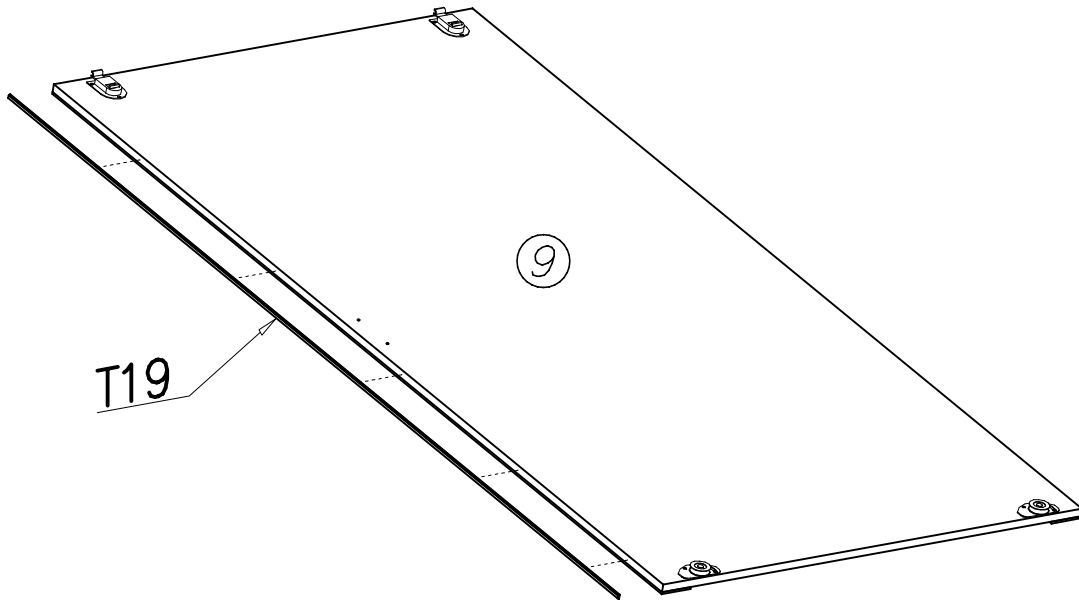
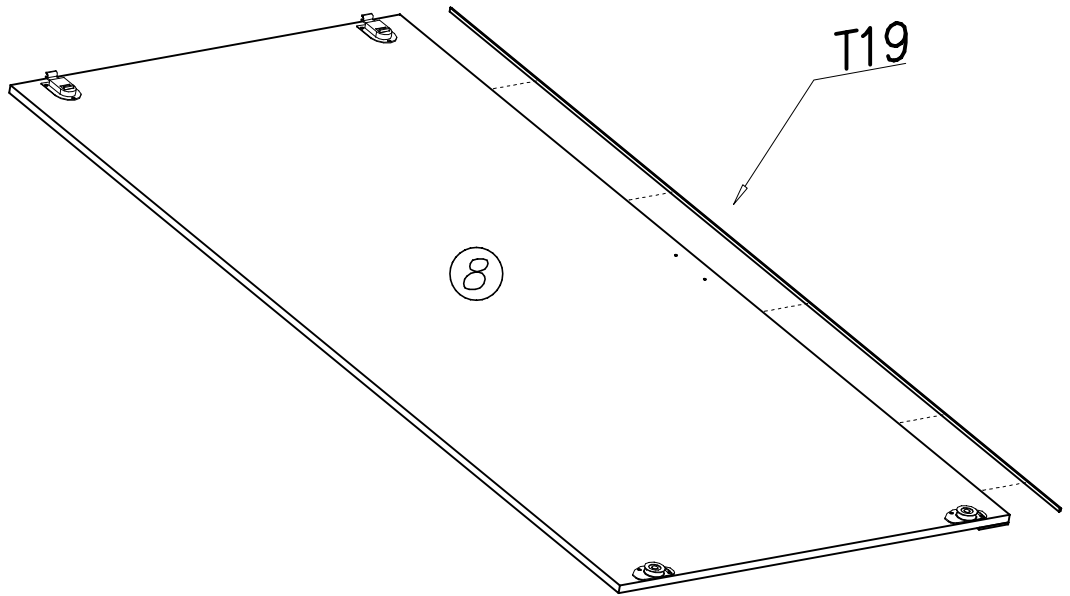


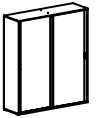
VII



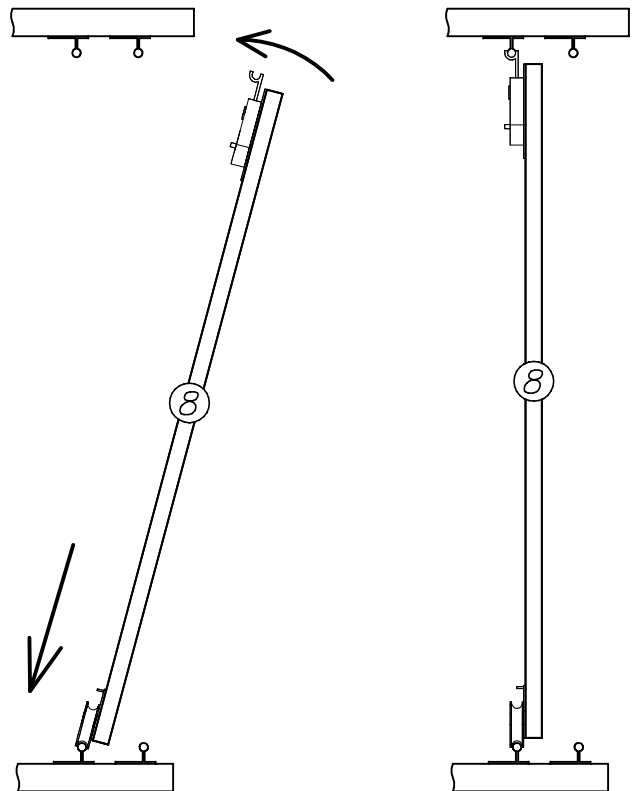
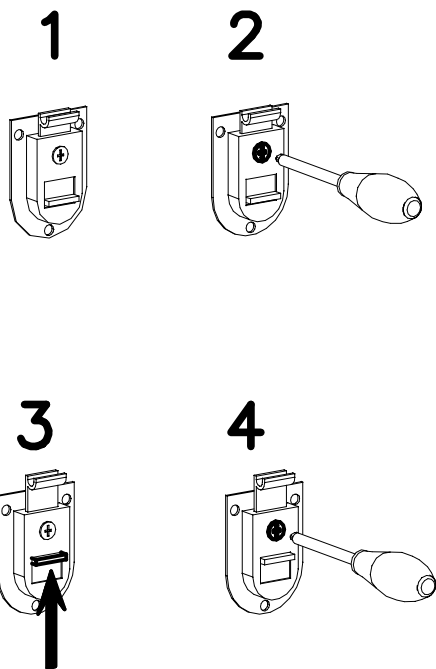
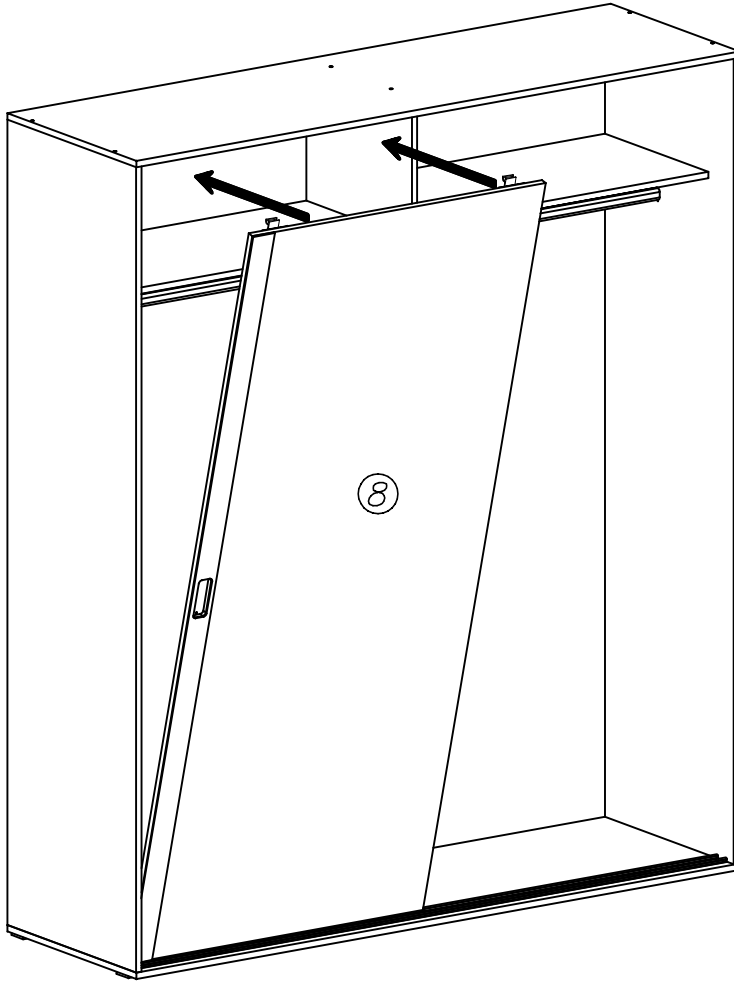


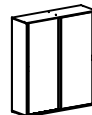
VIII



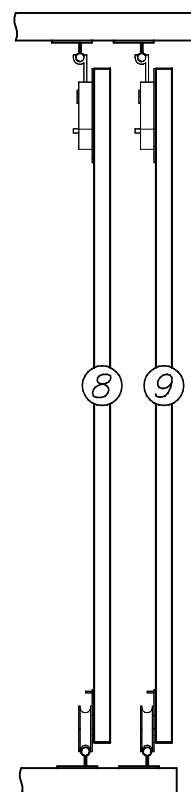
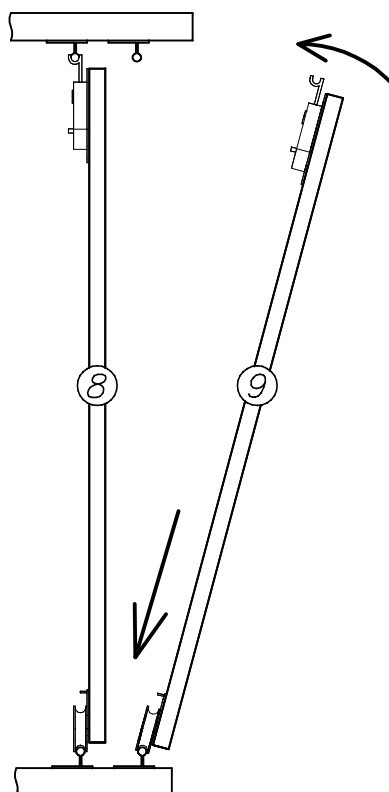
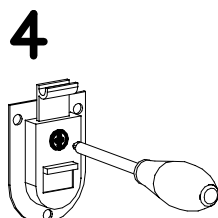
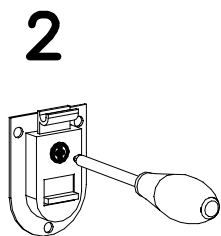
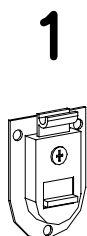
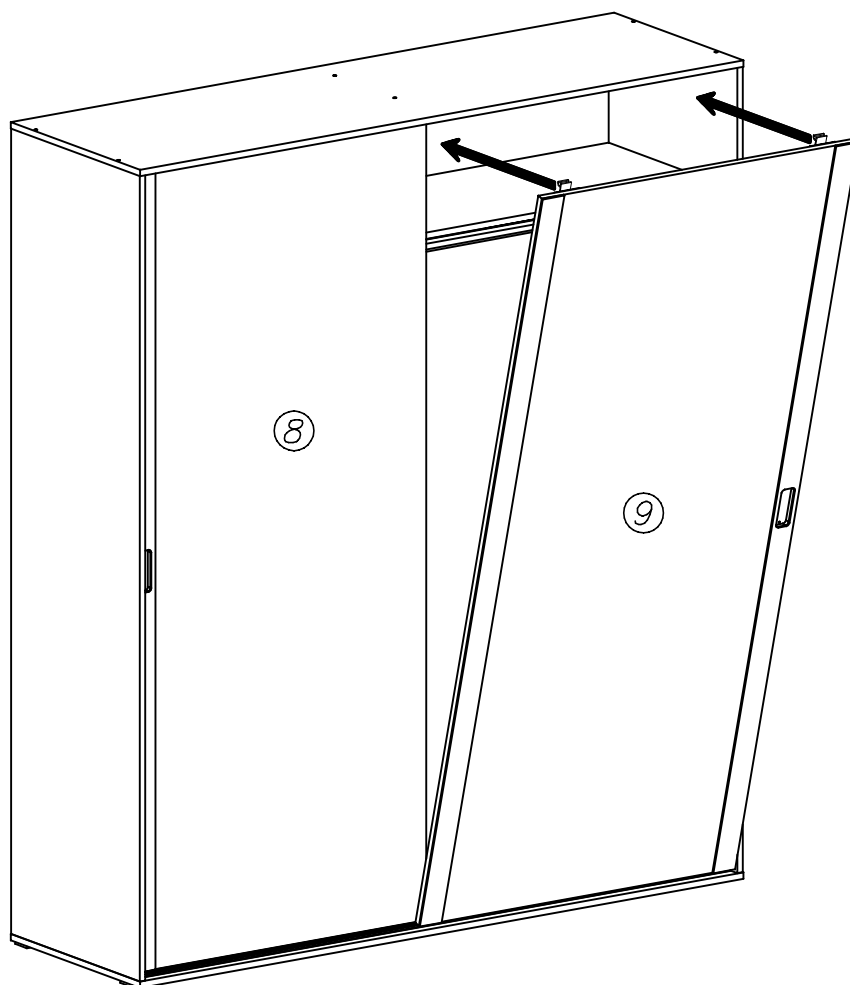


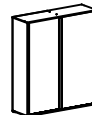
IX



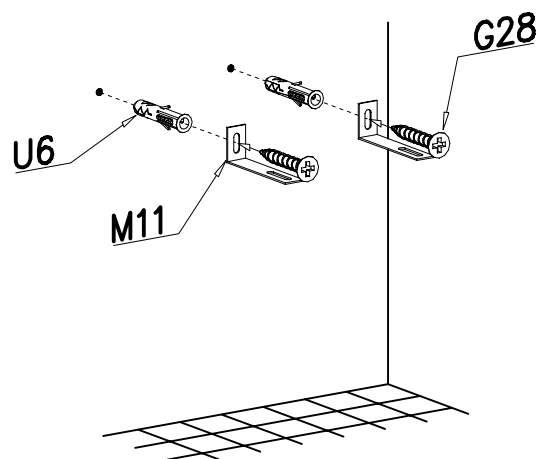
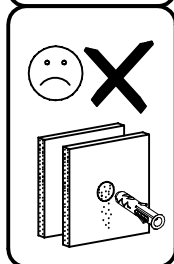
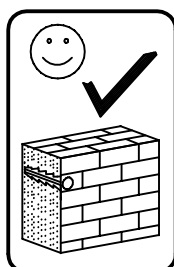
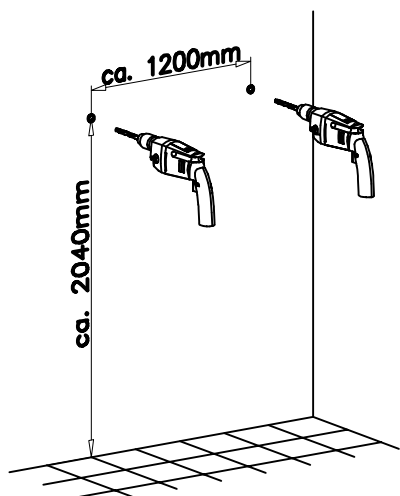


X





XI



XII

