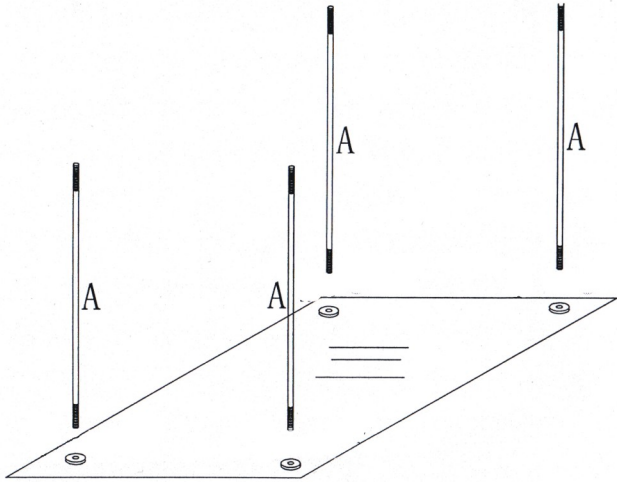


ASSEMBLY INSTRUCTIONS

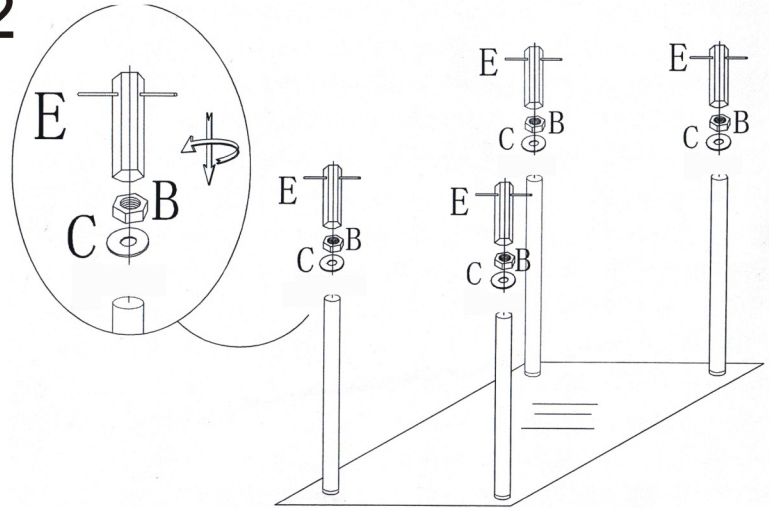
ISTRUCCIONES

DO NOT TIGHTEN SCREWS UNTIL COMPLETELY ASSEMBLED

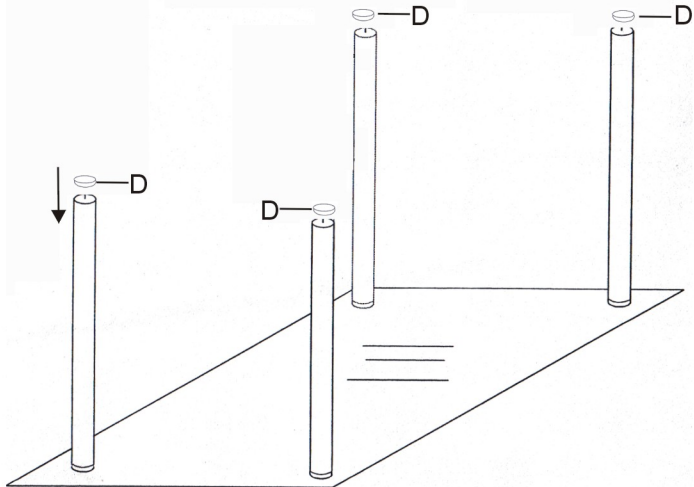
1







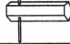
2



3



PARTS LIST/LISTA DE PARTES

A		M10×715mm	4
B		M10	4
C		∅25*1.5mm	4
D		∅60	4
E		M10	1