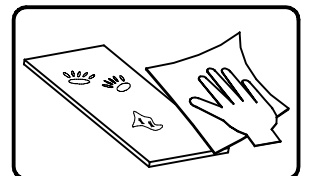
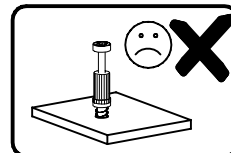
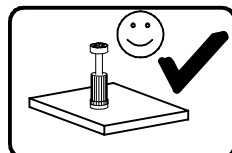
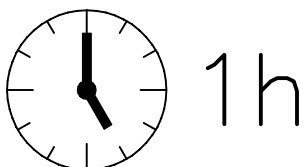
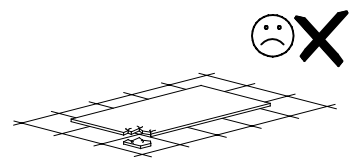
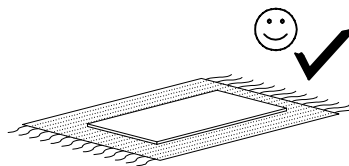
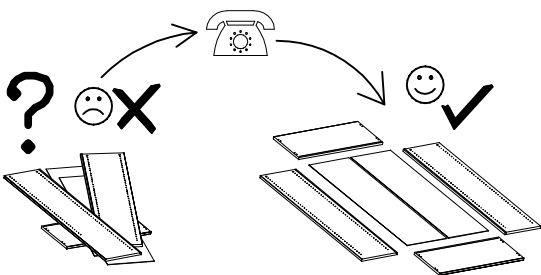
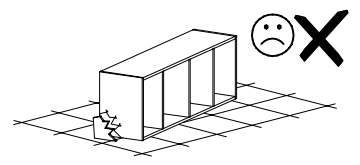
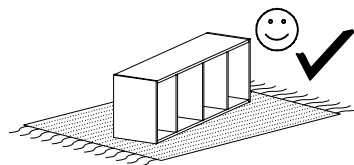
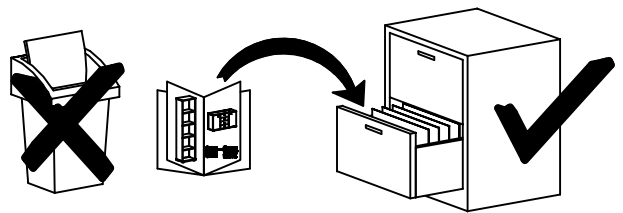
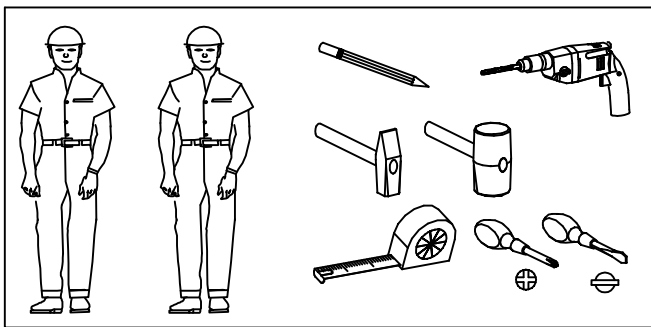
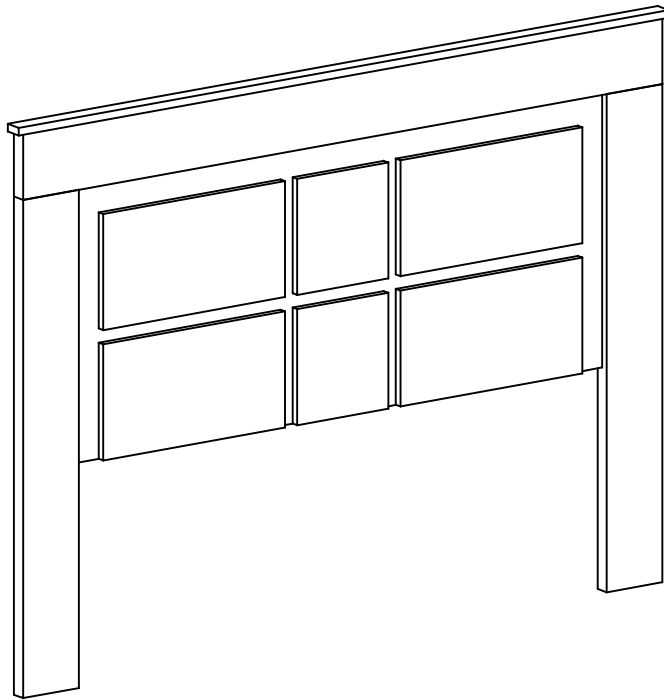
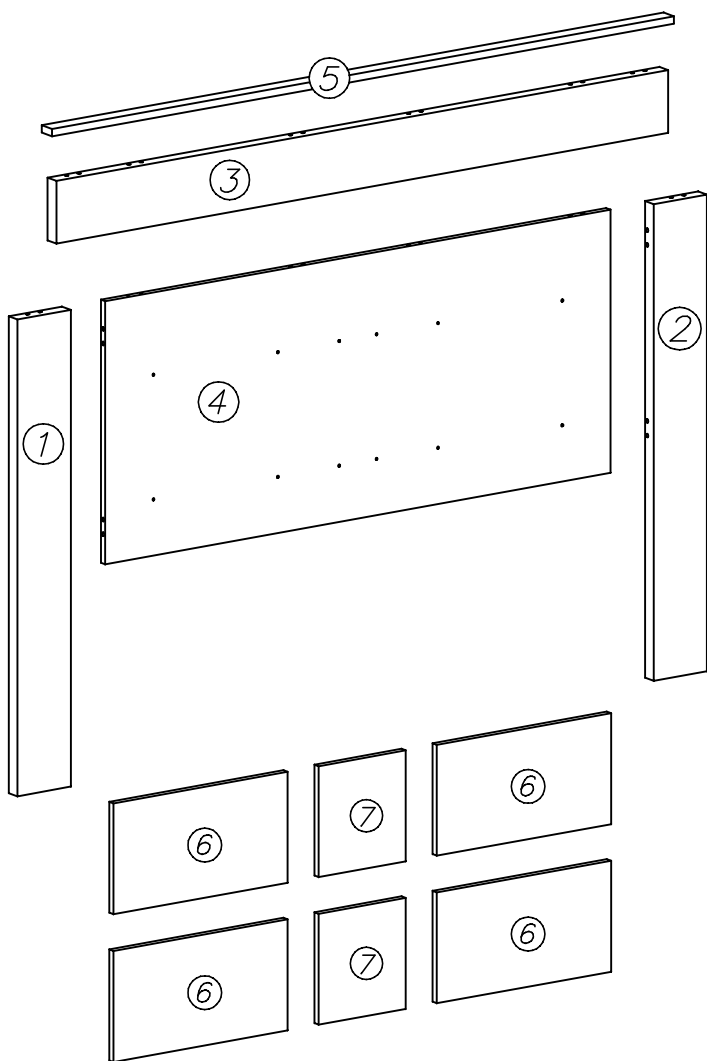
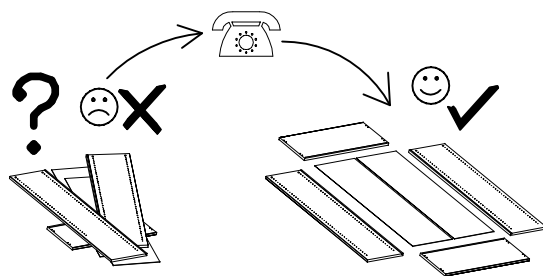
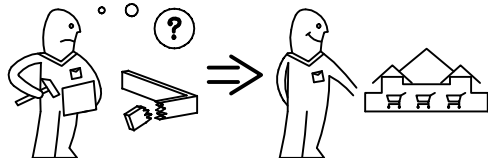
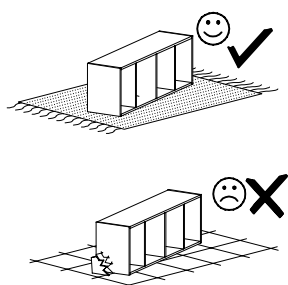
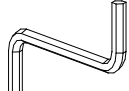


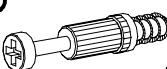





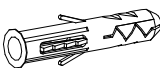
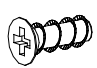


LARA Headboard 160

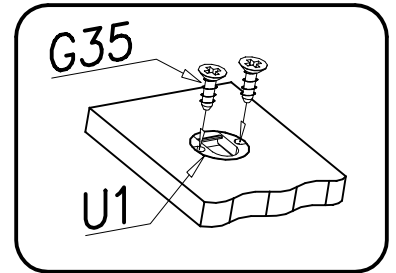
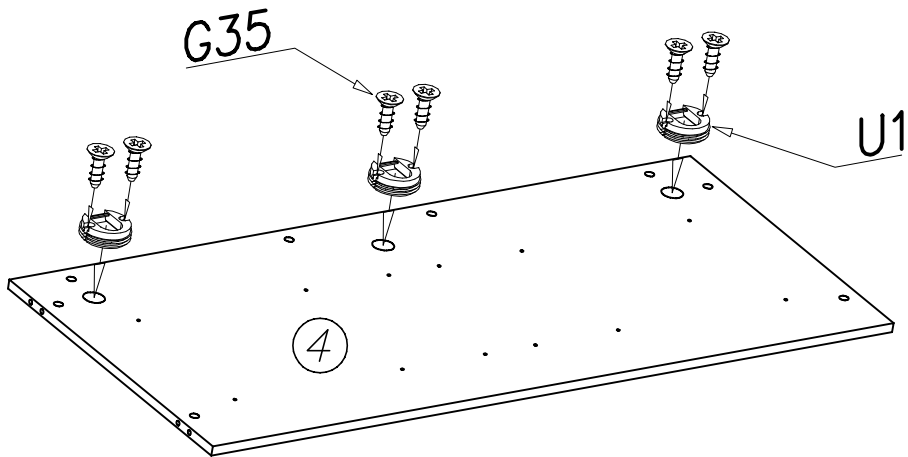




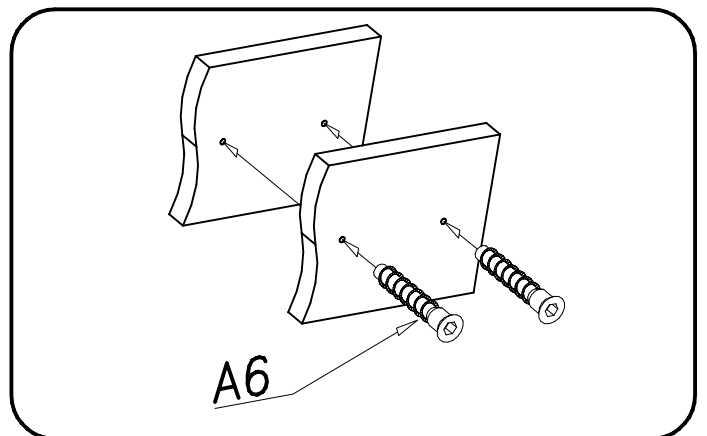
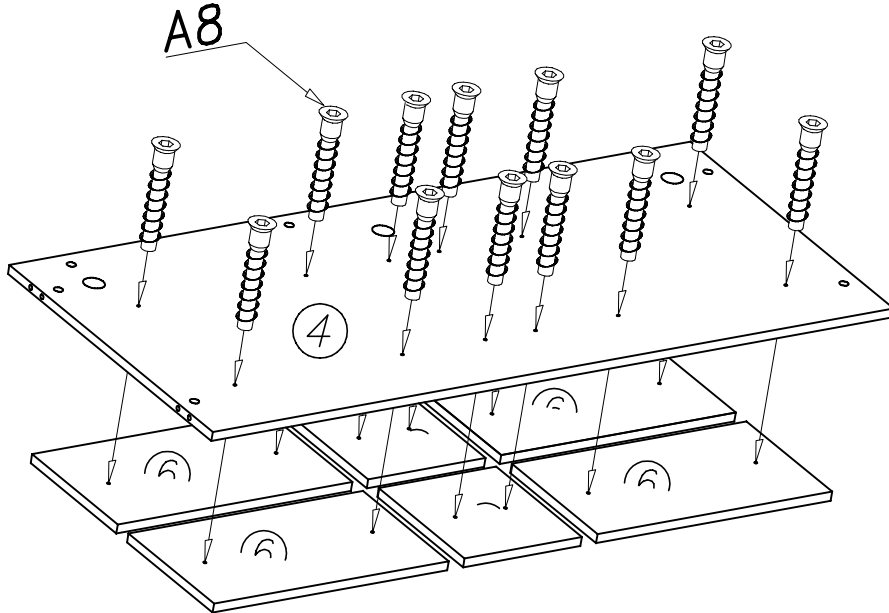
				W2  4mm x...(1)	
A6  ø7x28 x...(12)	K1  ø15x12 x...(10)	K5  x...(10)	U7S  x...(3)	U1  x...(3)	
B1  ø8x35 x...(12)	B3  ø8x50 x...(10)	W1  x...(3)	U8  ø10x60 x...(3)	G35  6x9 x...(6)	



I

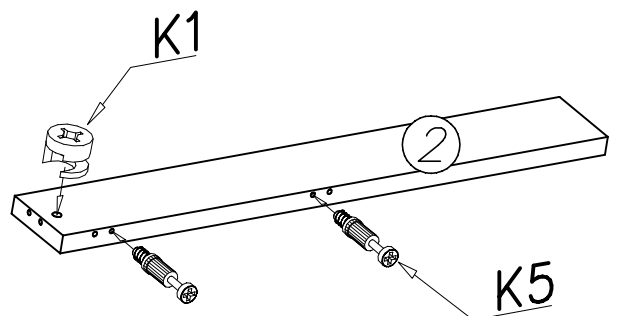
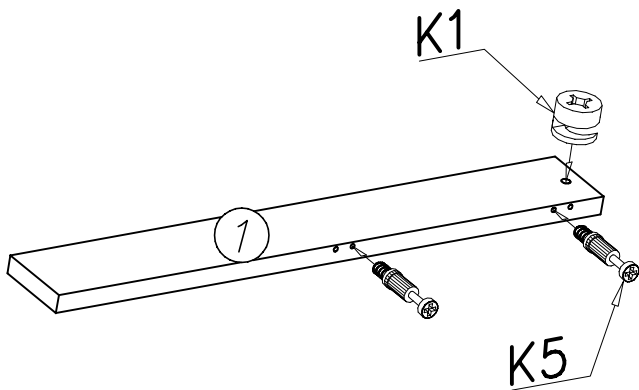
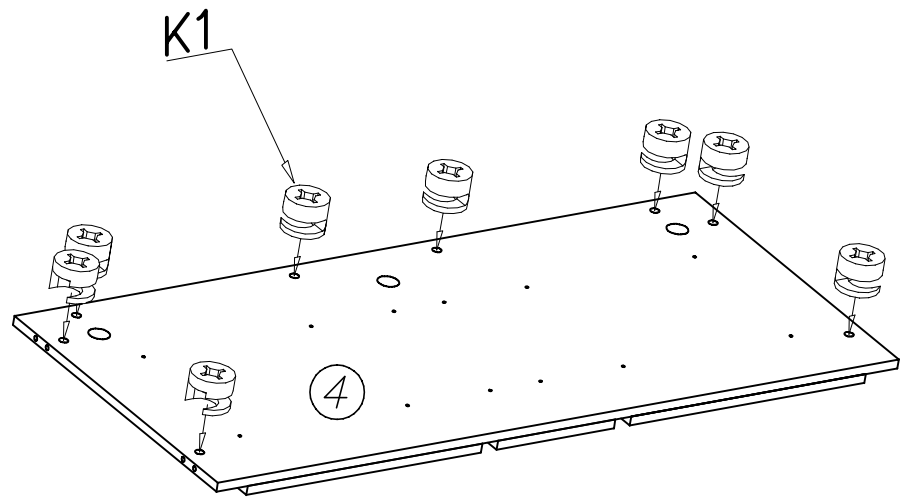
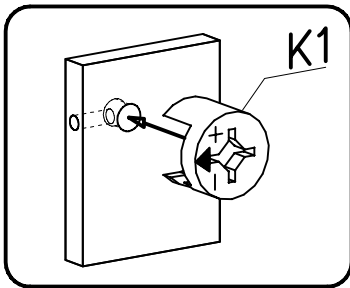
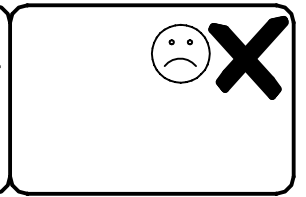
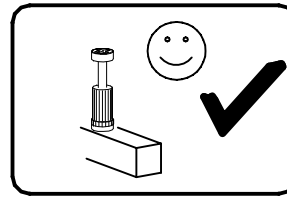
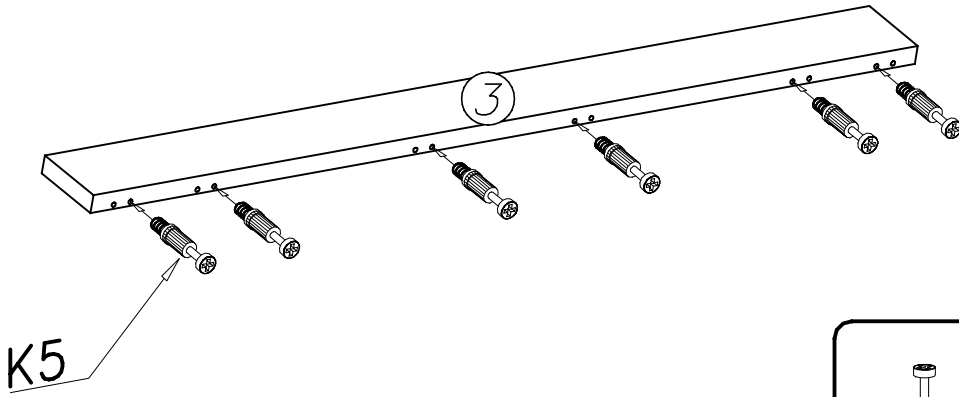
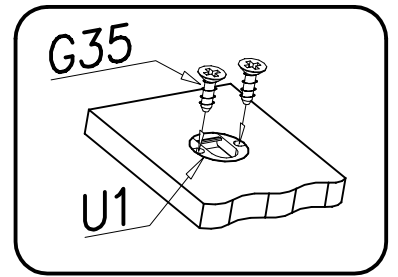


II



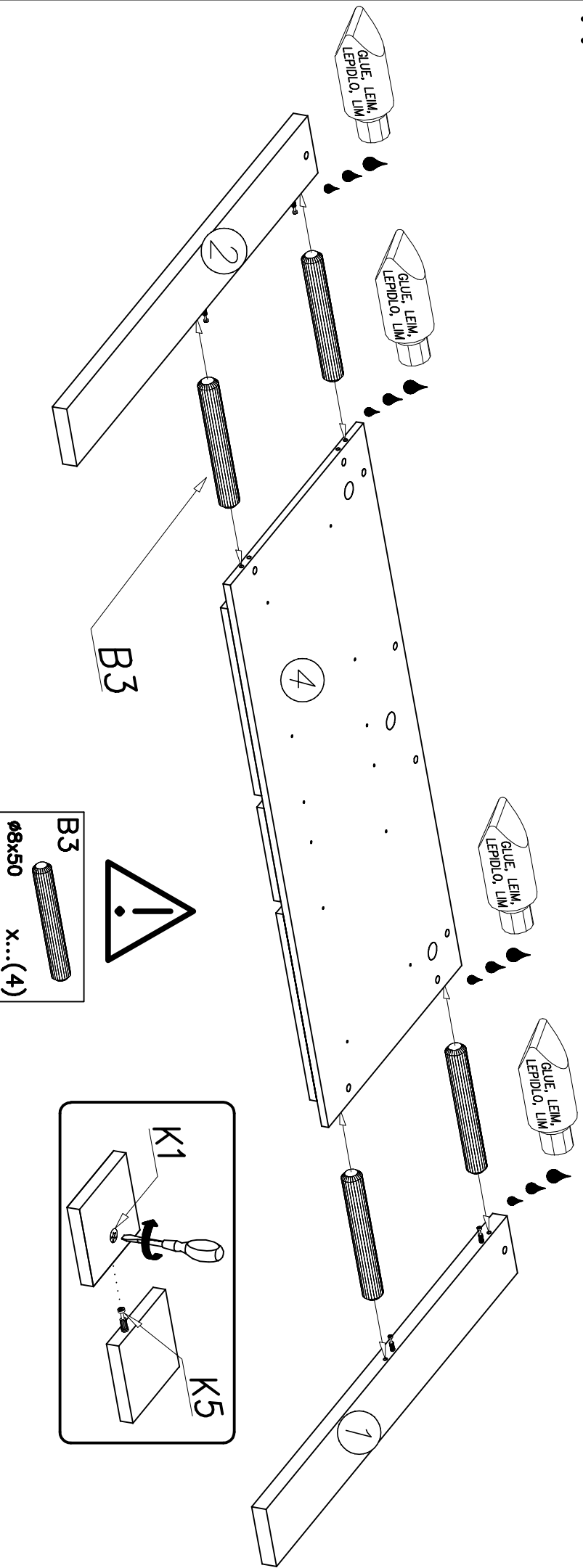


III

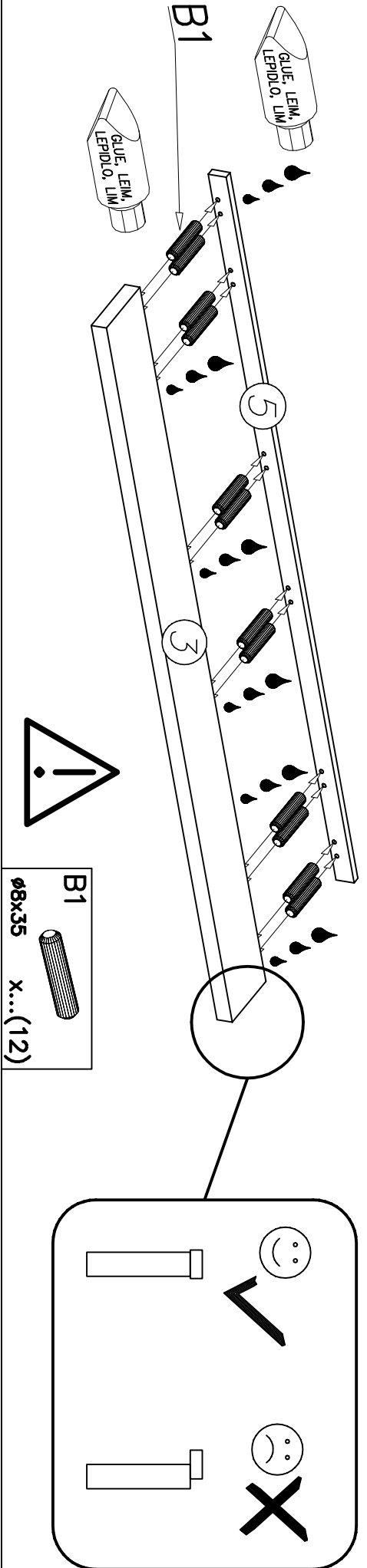


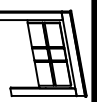


IV

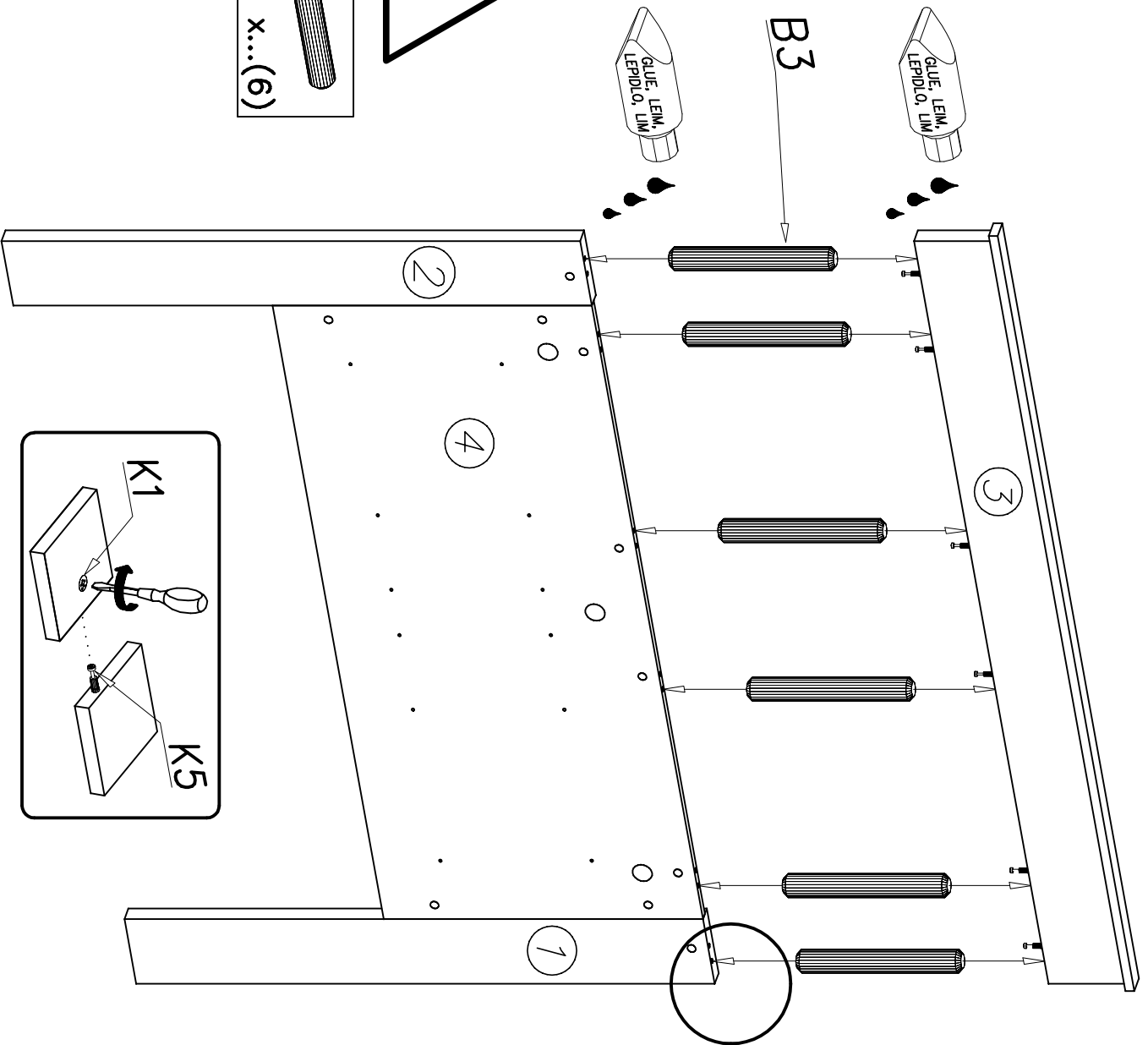


V

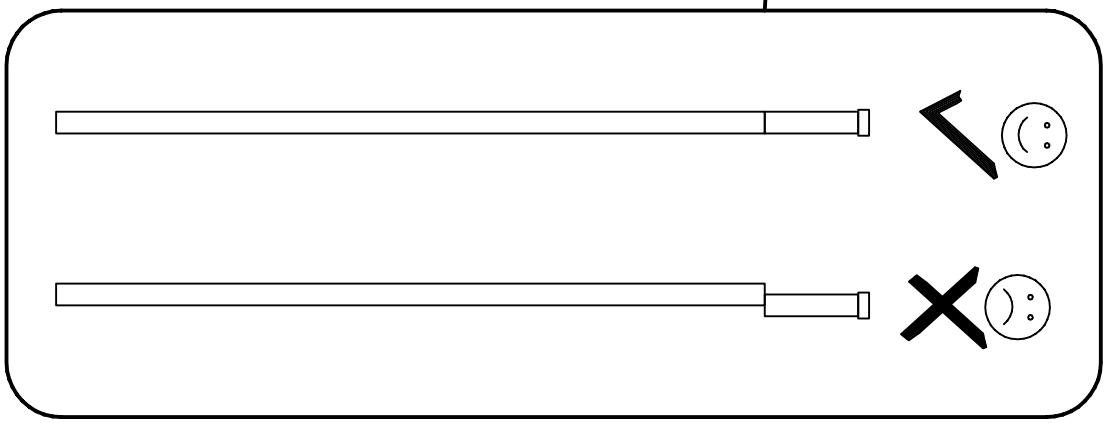
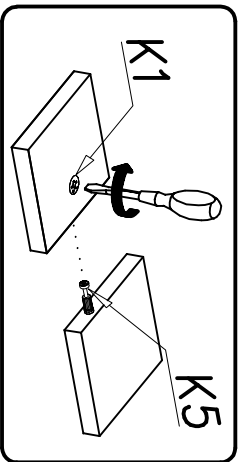




M

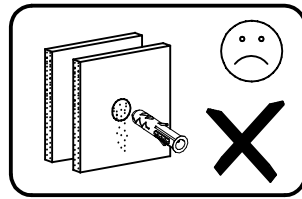
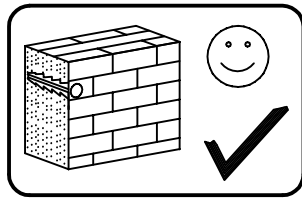
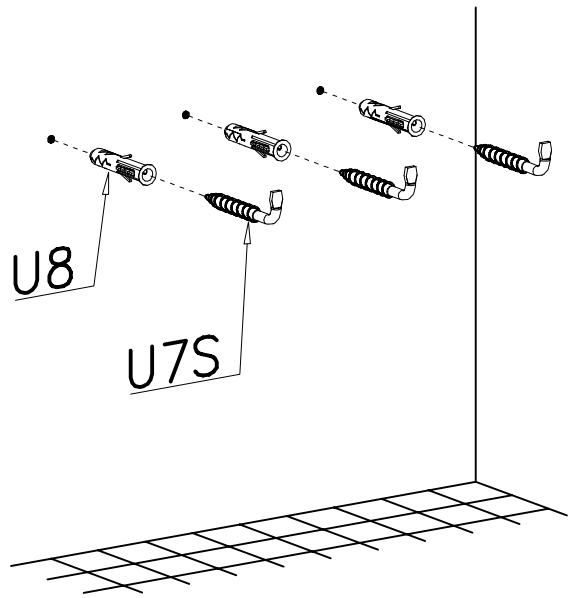
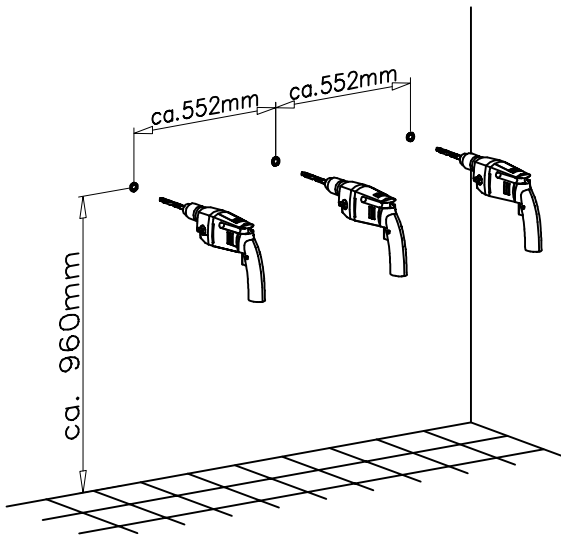


B3
Ø8x50 x...(6)





VII



VIII

