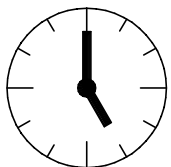
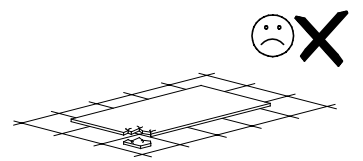
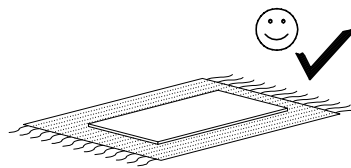
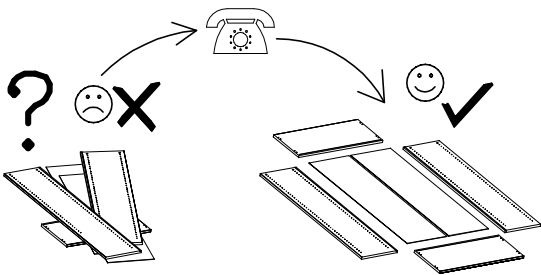
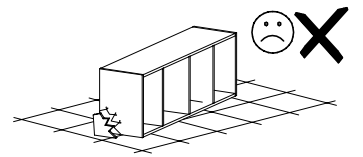
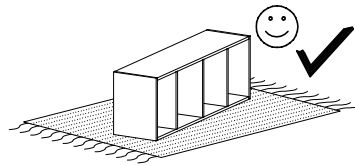
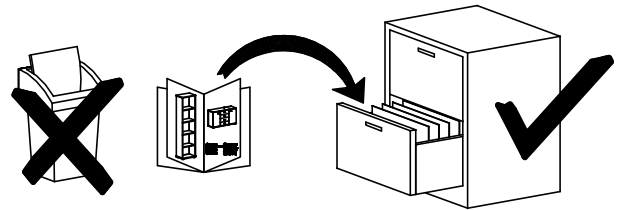
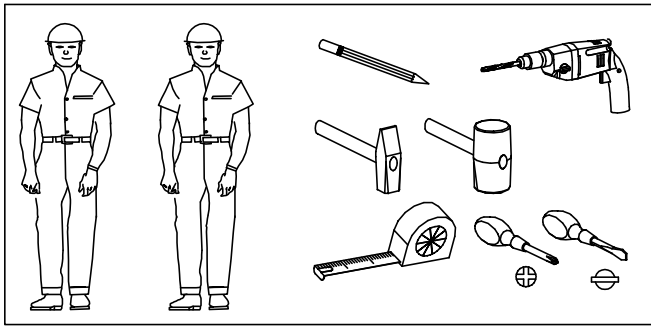
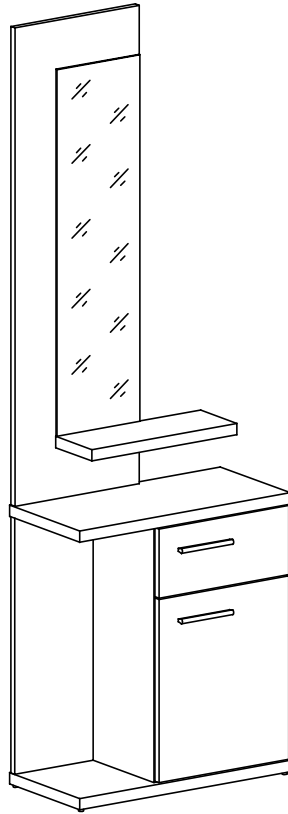
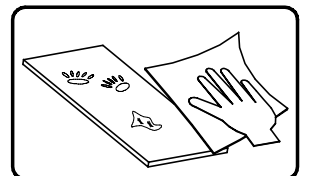
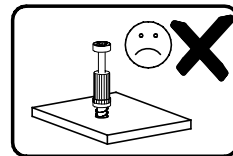
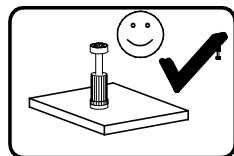
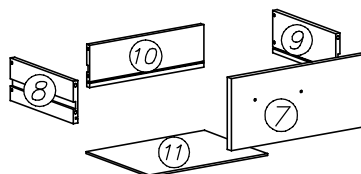
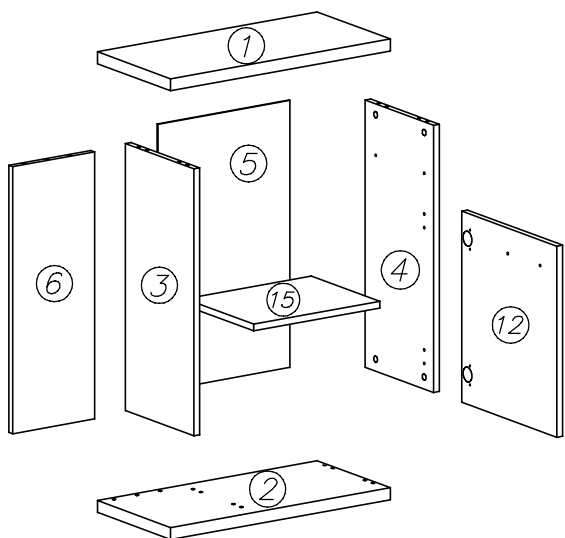
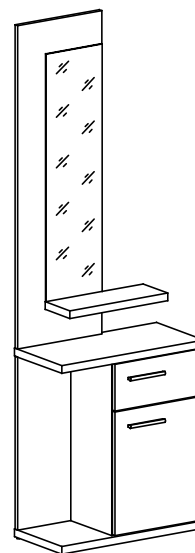
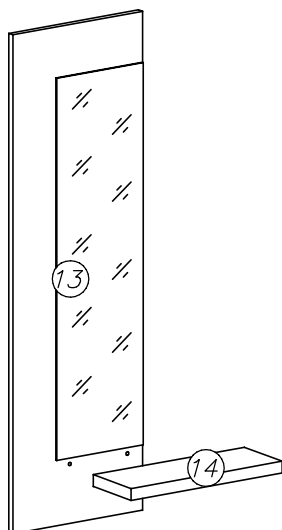
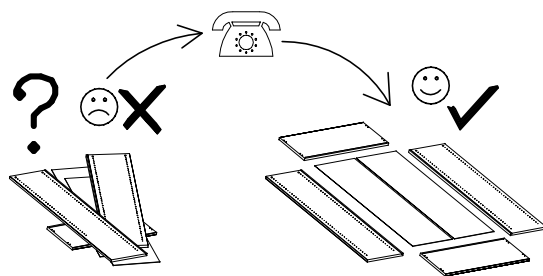
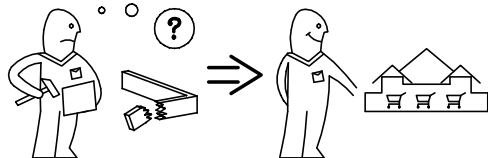
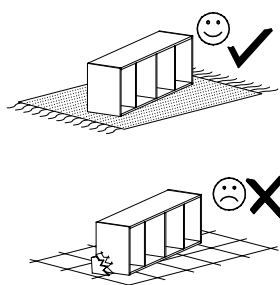


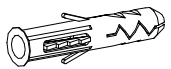


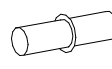
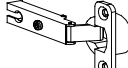
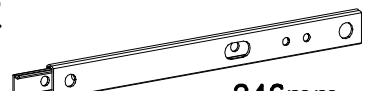

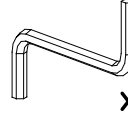

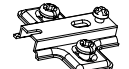



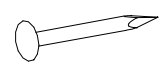
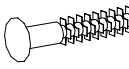
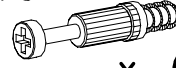




ENTER

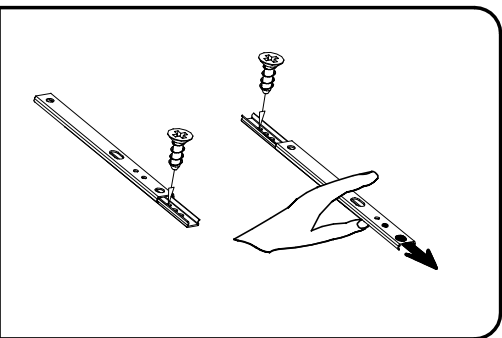
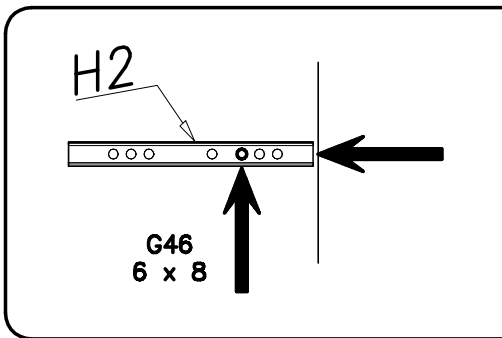
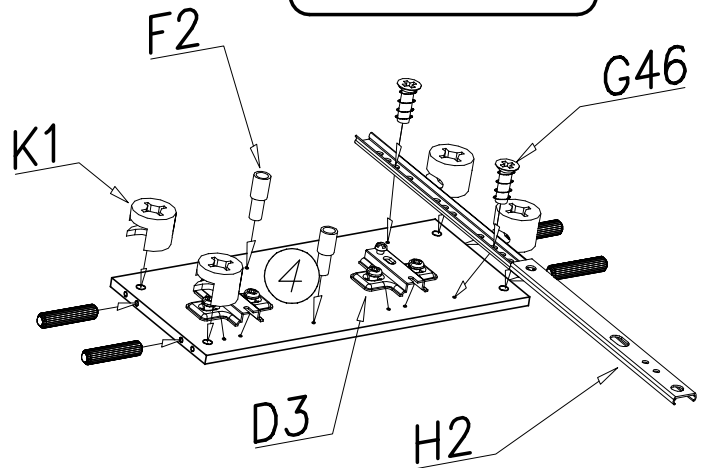
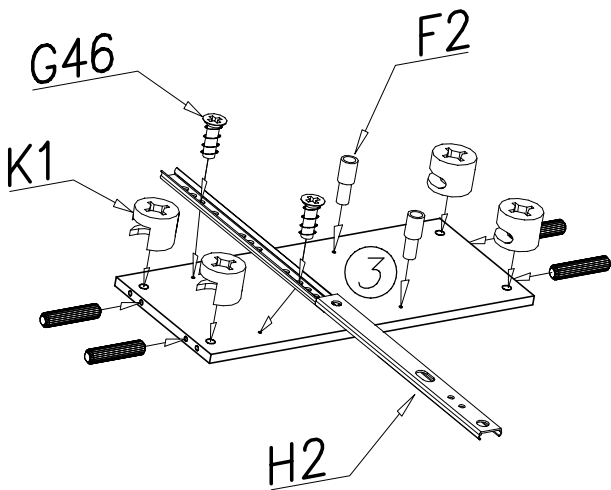
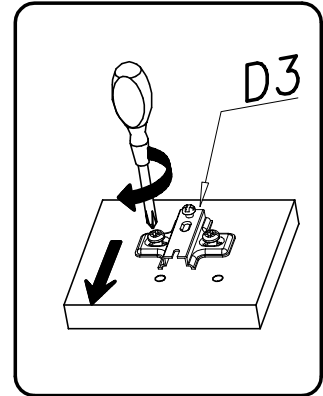
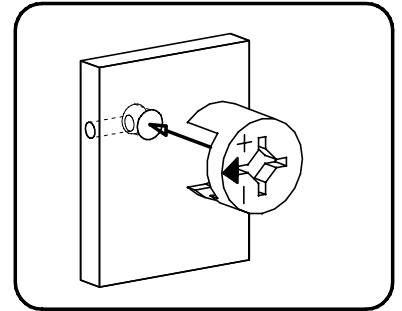
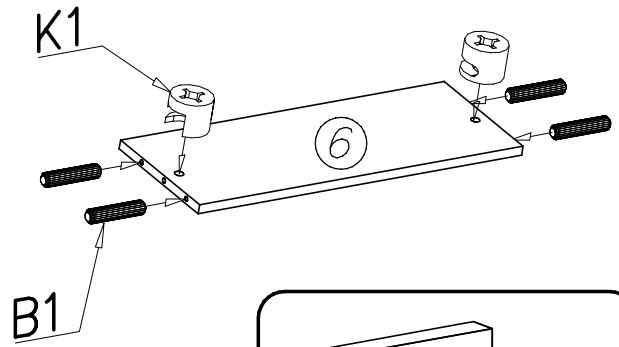
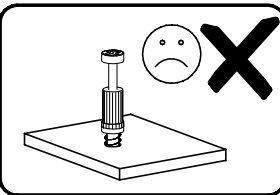
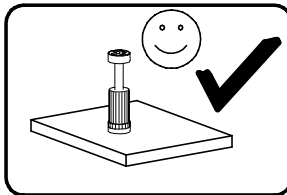
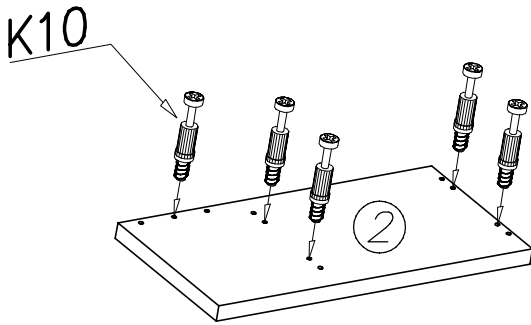
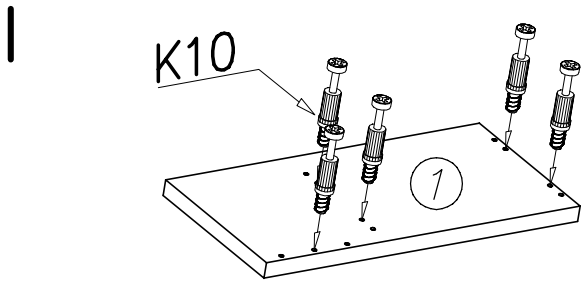


1,5h



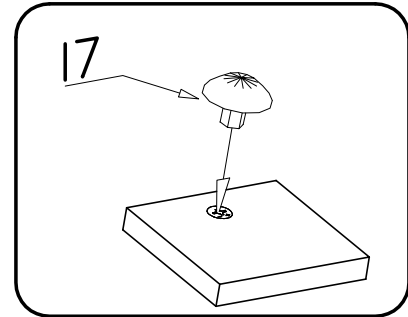
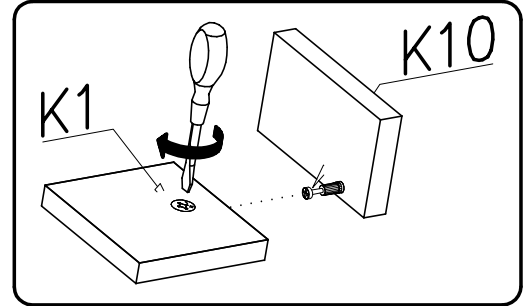
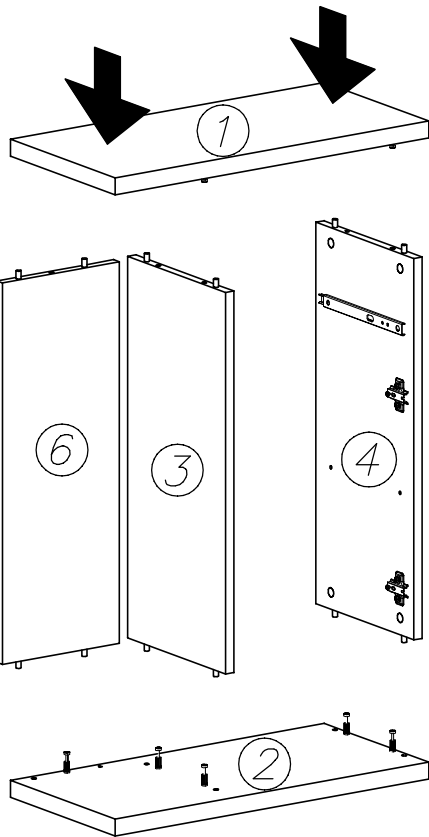


U8  $\varnothing 10 \times 60$ x...(2)	U7S  x...(2)	A1  $\varnothing 7 \times 50$ x...(2)	F2  x...(4)	C3  Z35PR x...(2)
H2  246mm x...(2)	W1  x...(1)	W2  x...(1)	I7  $\varnothing 18$ x...(10)	D3  PZ35PR x...(2)
K1  $\varnothing 15 \times 12$ x...(10)	P4  x...(4)	B1  $\varnothing 8 \times 35$ x...(12)	W4  x...(~20)	A3  $\varnothing 6 \times 42$ x...(4)
K10  x...(10)	N1  M4x9 x...(2)	G8  4x30 x...(4)	G46  6x8 x...(4)	E1  128mm x...(2)

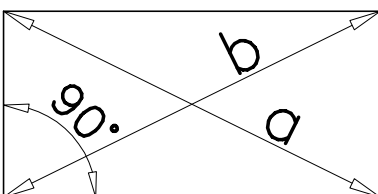
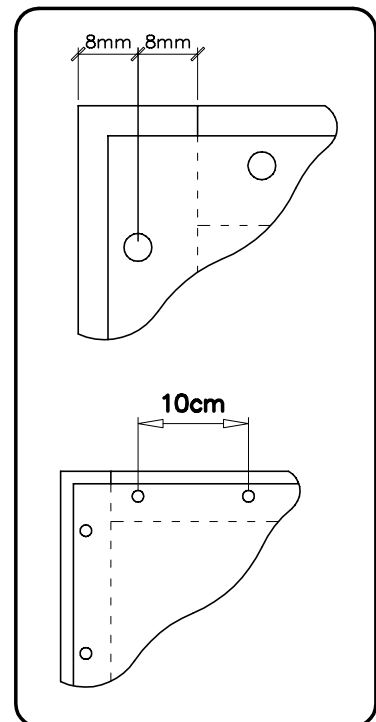
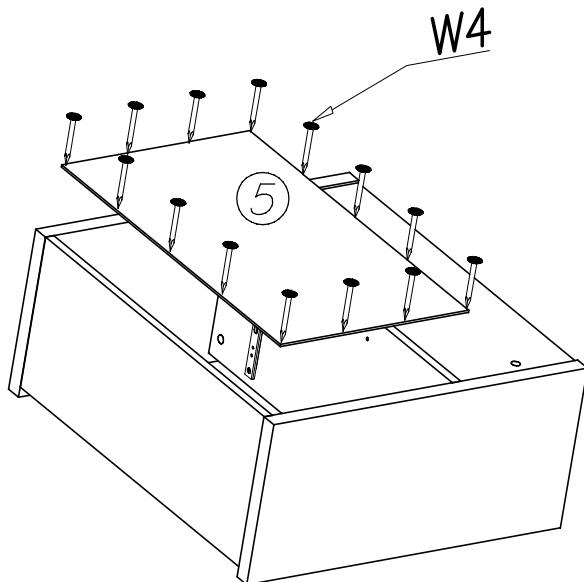




II



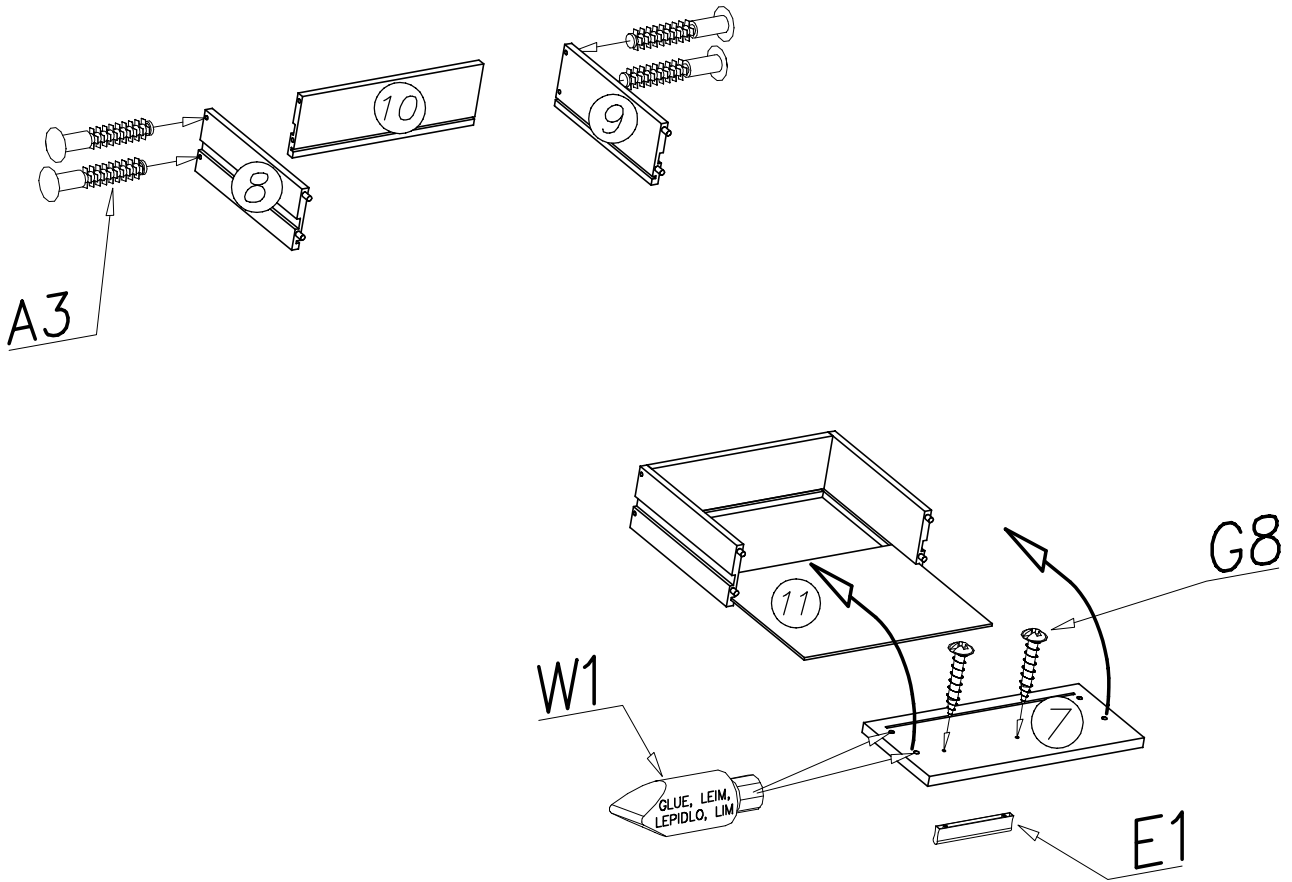
III



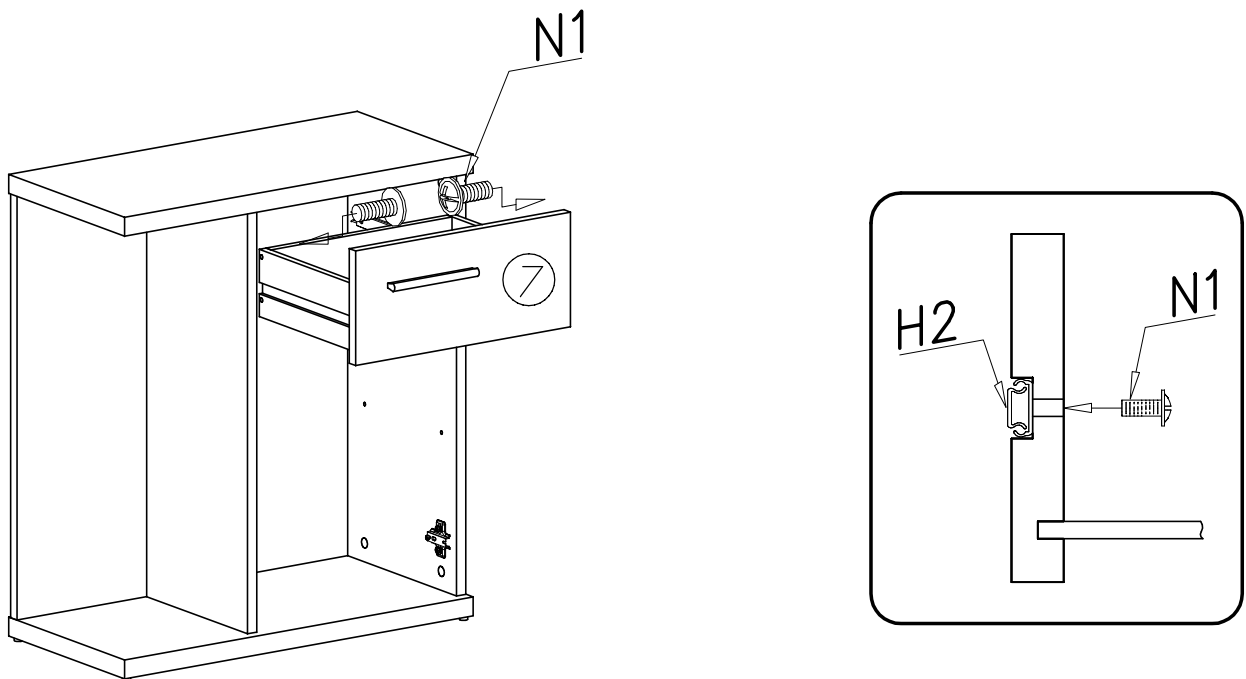
$a = b$



IV

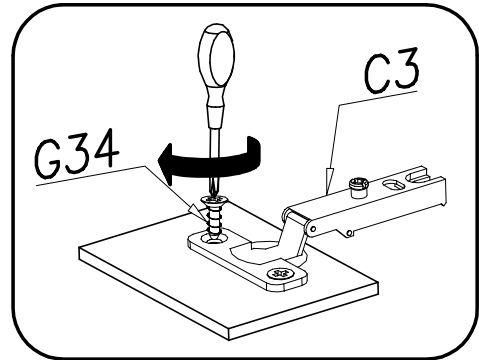
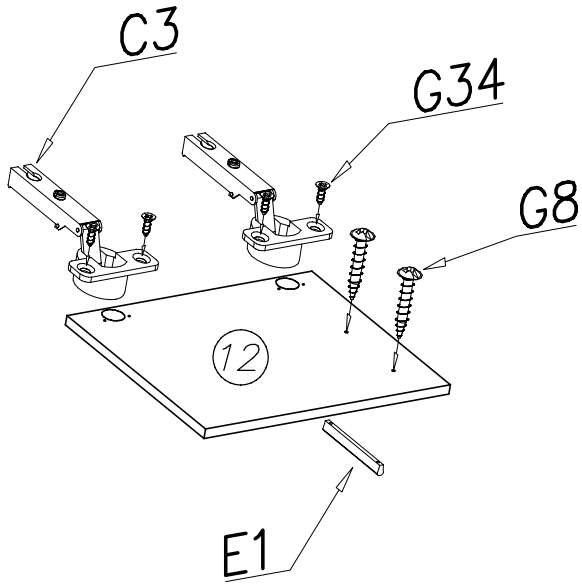


V

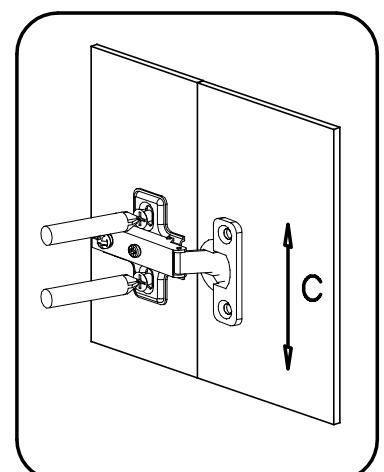
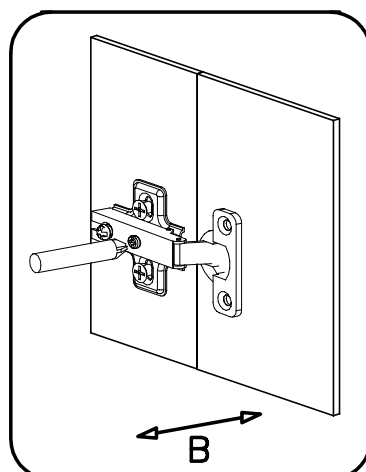
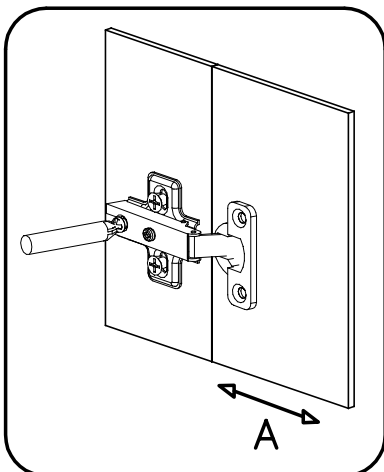
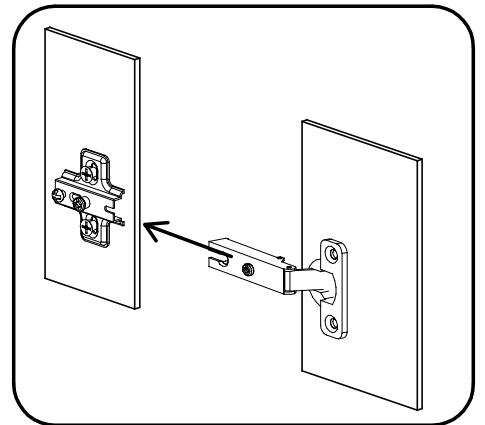
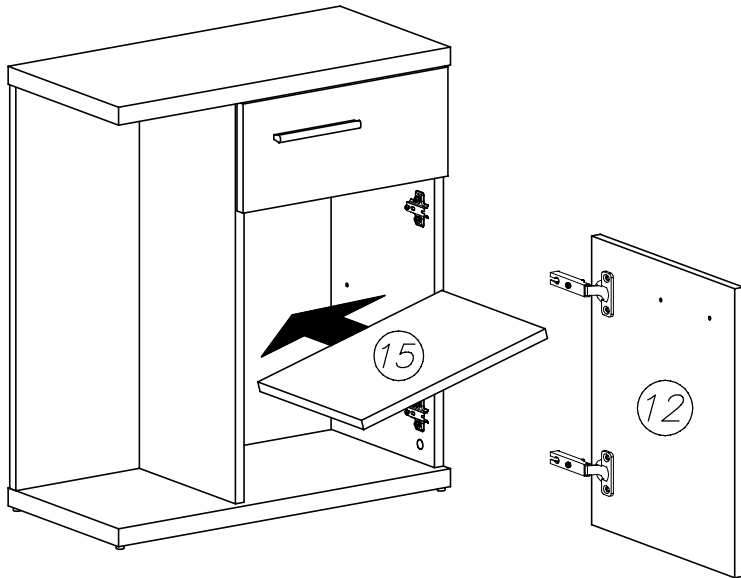




VI

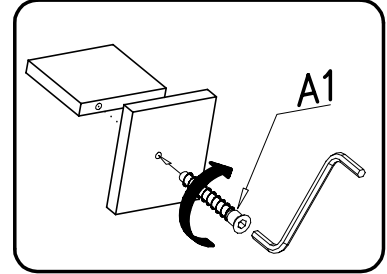
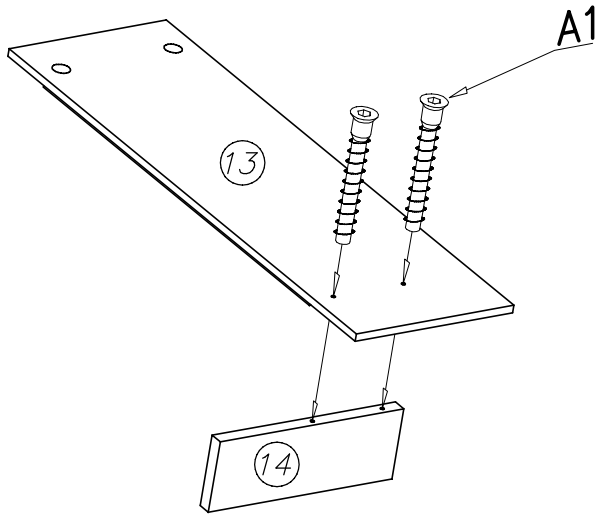


VII

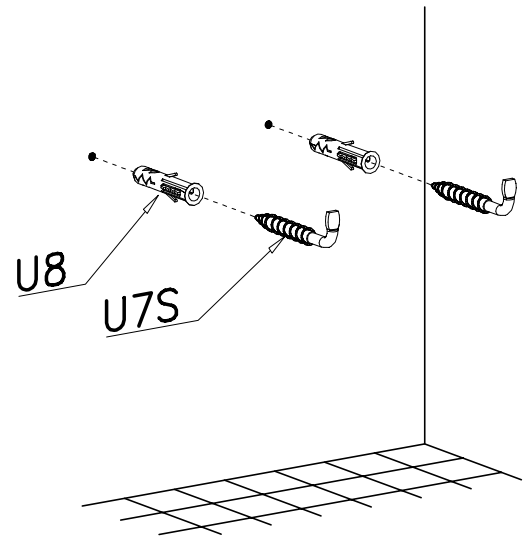
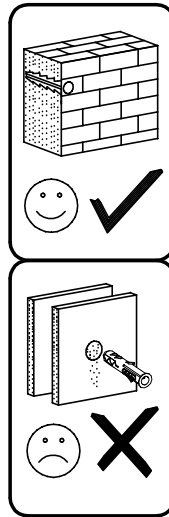
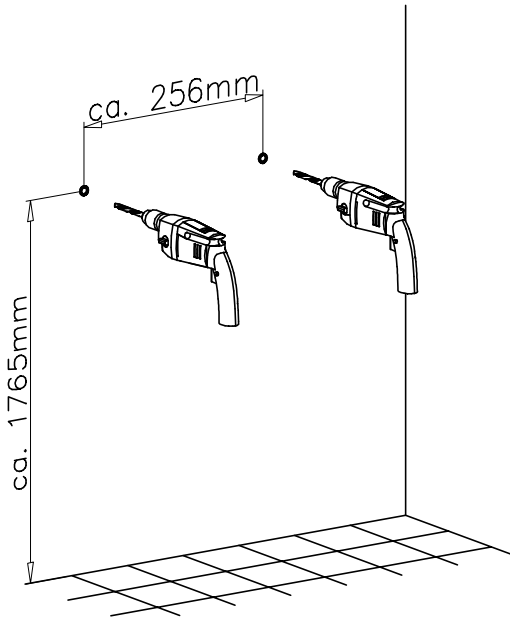




VIII



IX



X

