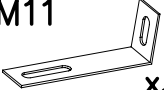
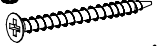
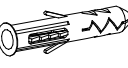




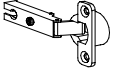
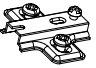

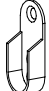
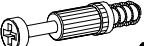





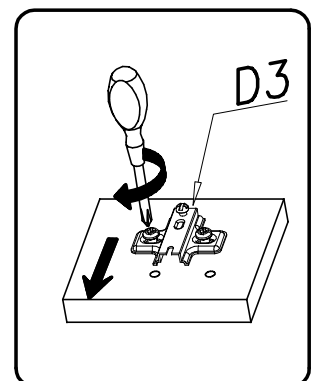
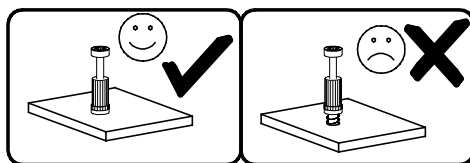
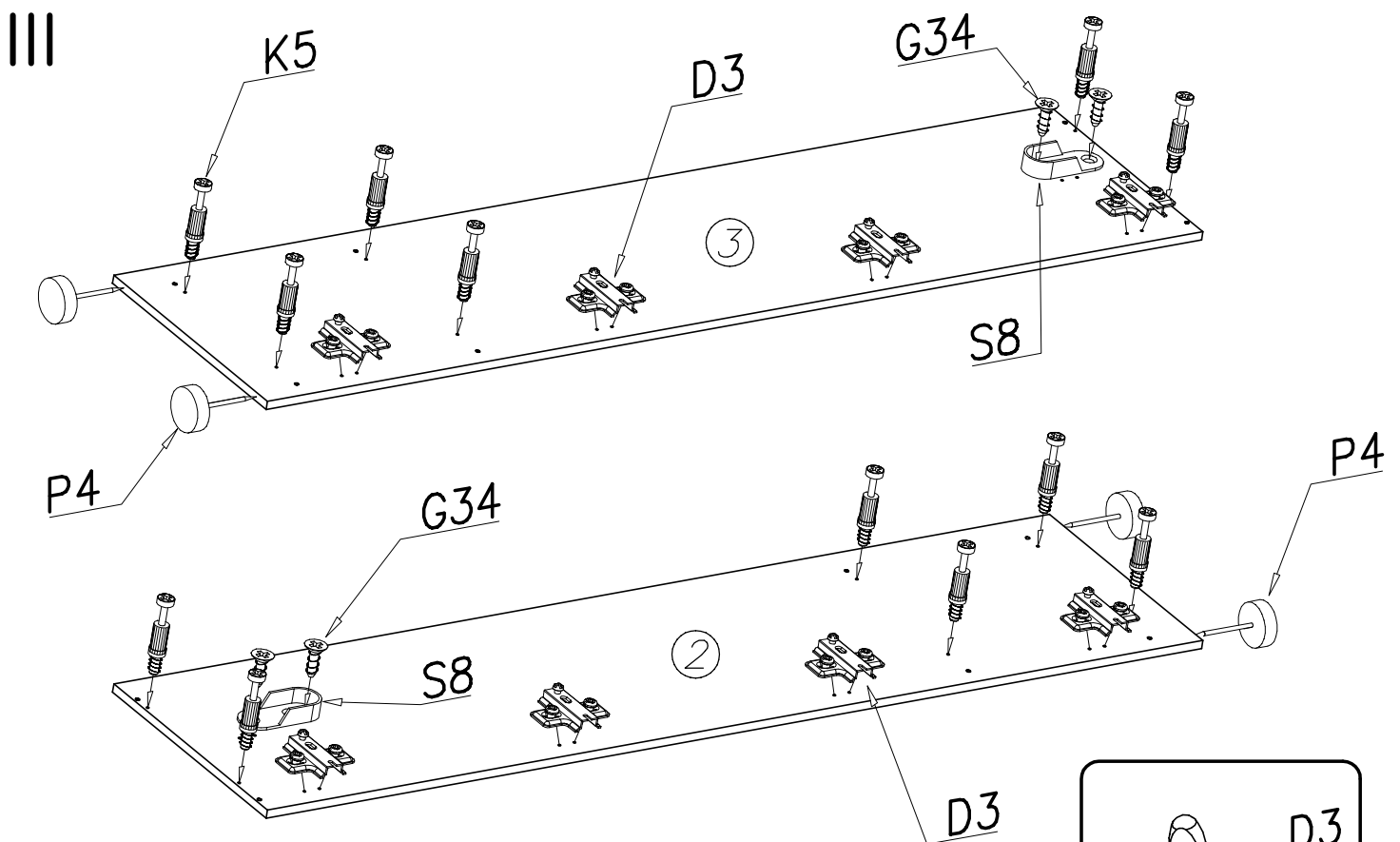
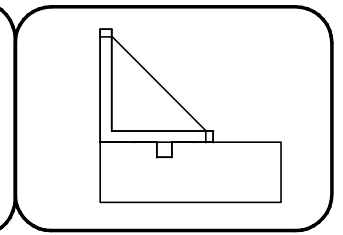
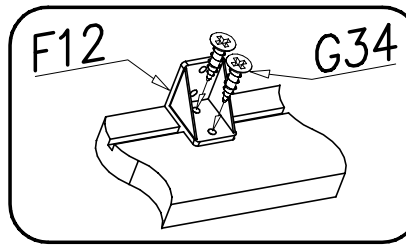
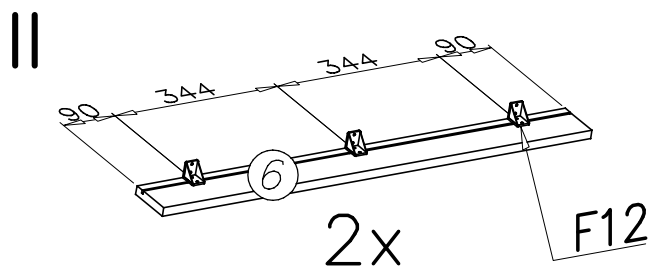
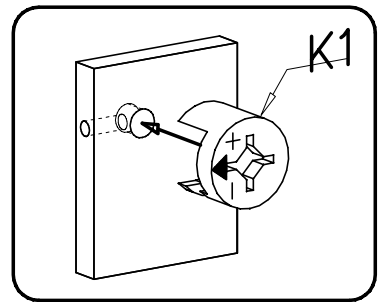
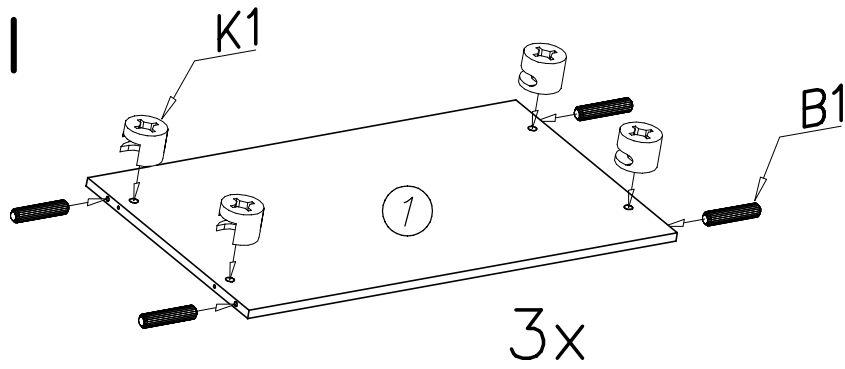
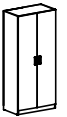
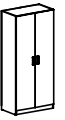
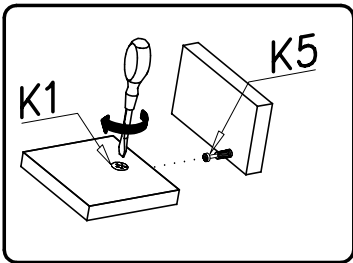
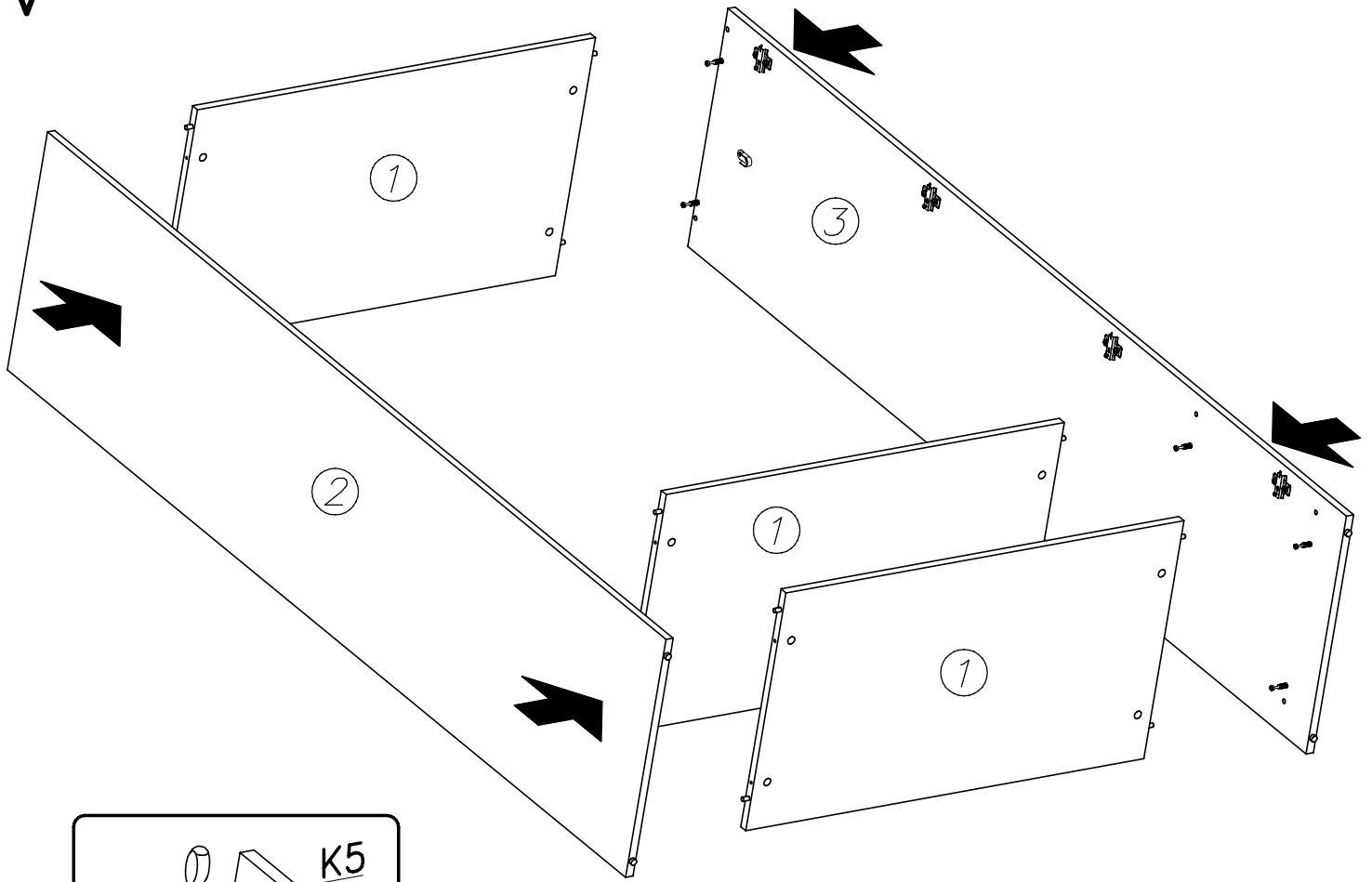


M11  x...(1)	G28  4x60 x...(1)	U6  Ø8x40 x...(1)	P4  x...(4)	S1  1880mm x...(1)	
K1  Ø15x12 x...(12)	G8  4x30 x...(4)	C3  Z35PR x...(8)	D3  H=2 PZ35PR x...(8)	G34  3,5x16 x...(110)	S8  x...(2)
K5  x...(12)	B1  Ø8x35 x...(12)	I7  x...(12)	S5  860mm x...(1)	F12  x...(6)	E82  128mm x...(2)

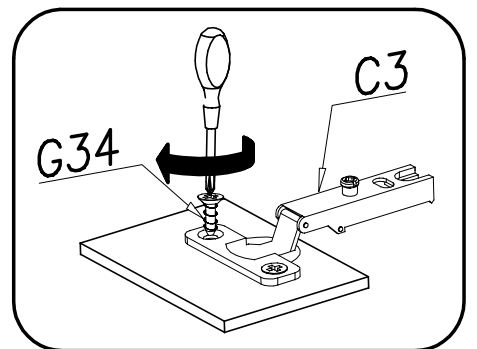
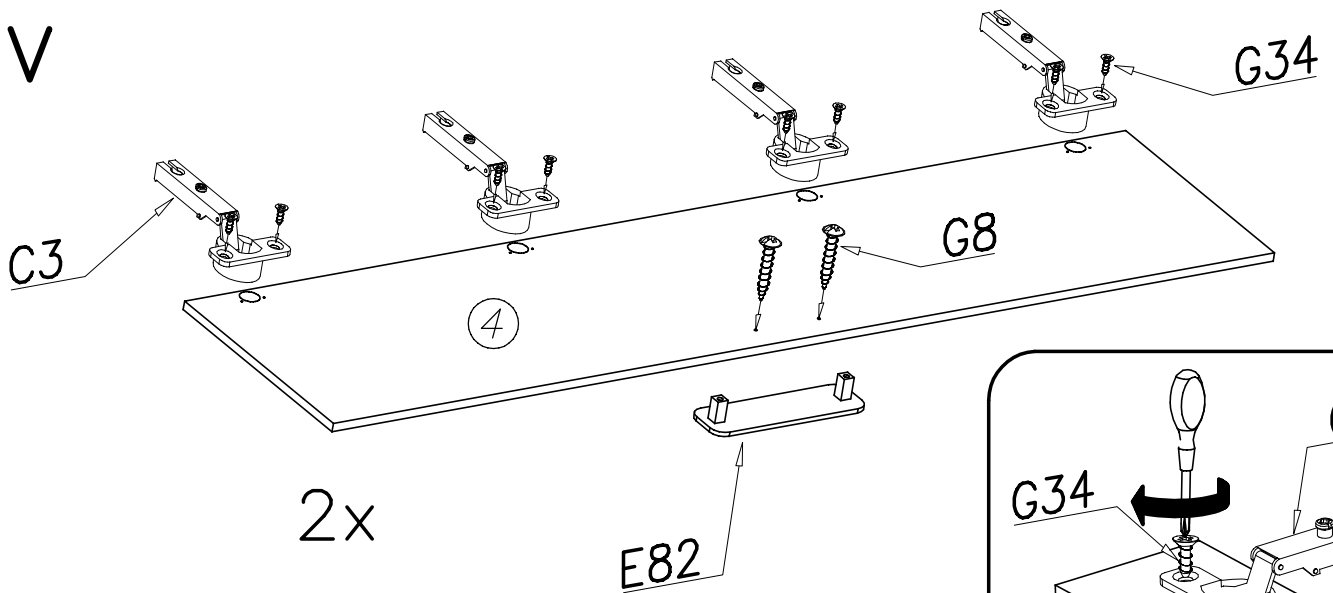


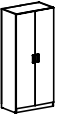


IV

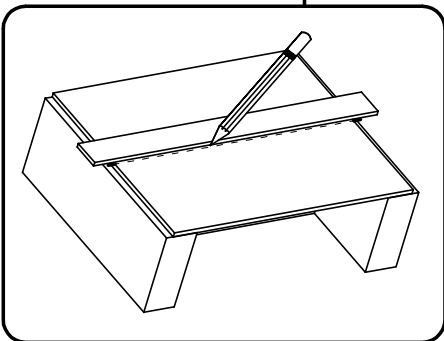
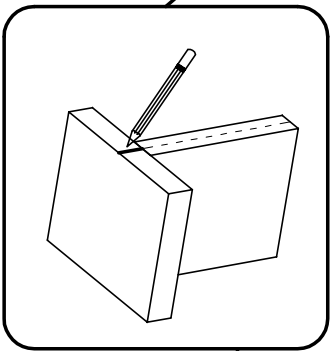
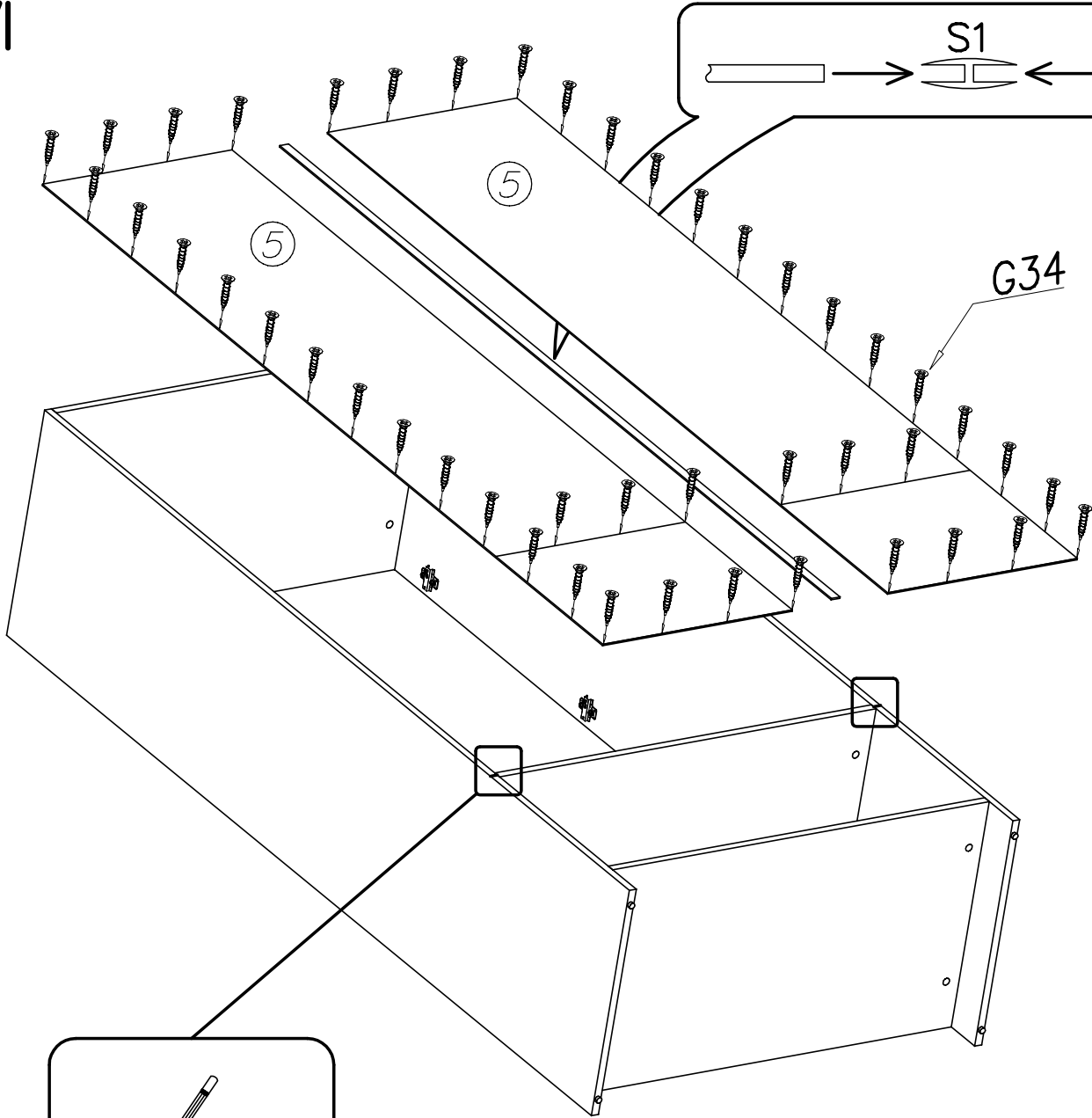


V

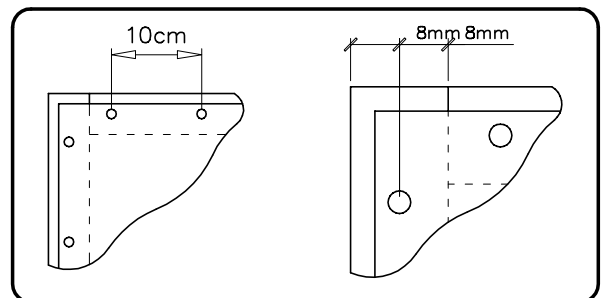
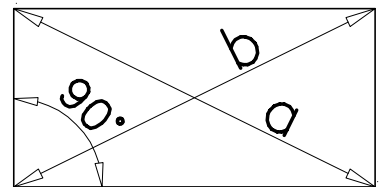


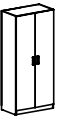


VI

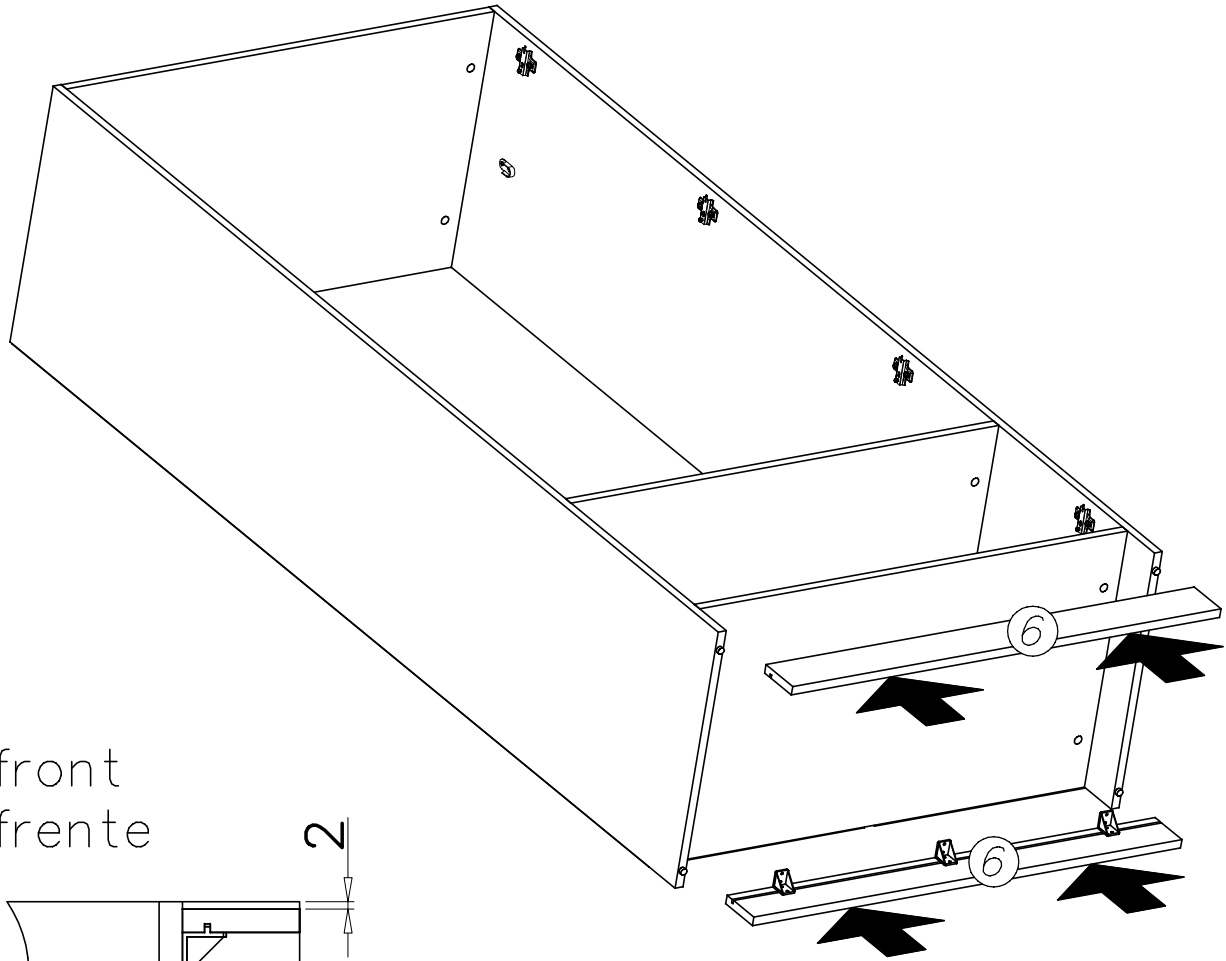


$a = b$

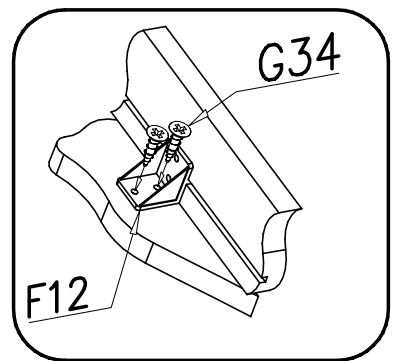
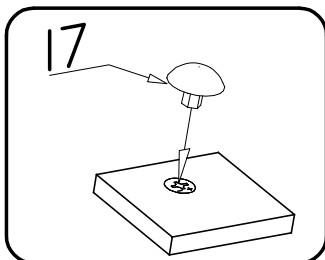
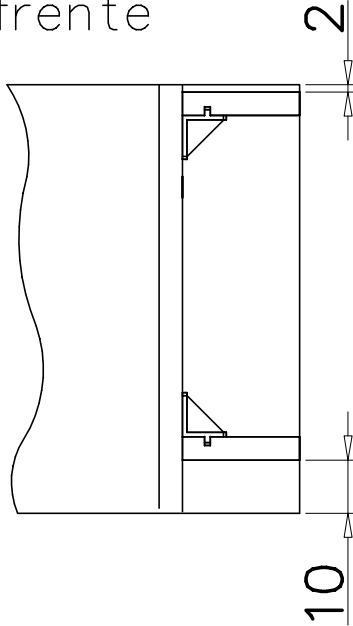


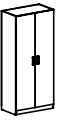


VII

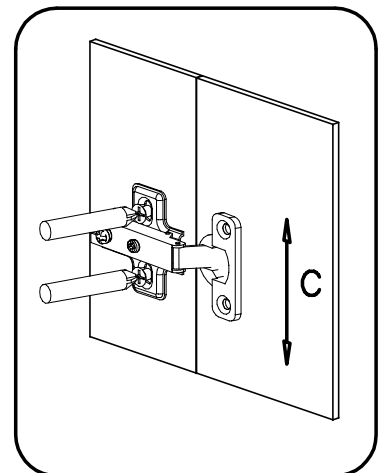
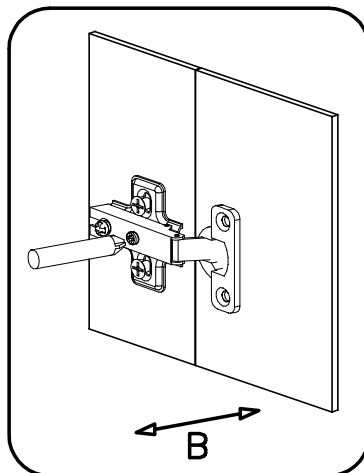
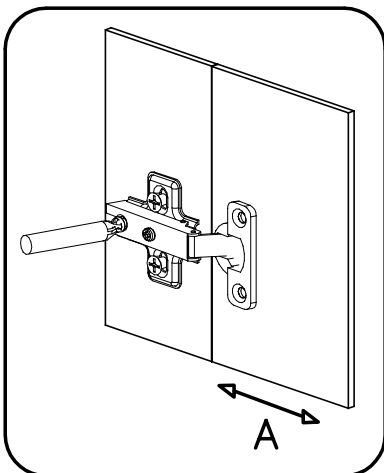
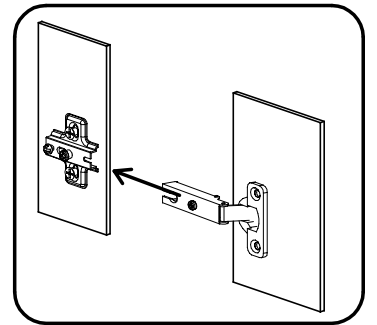
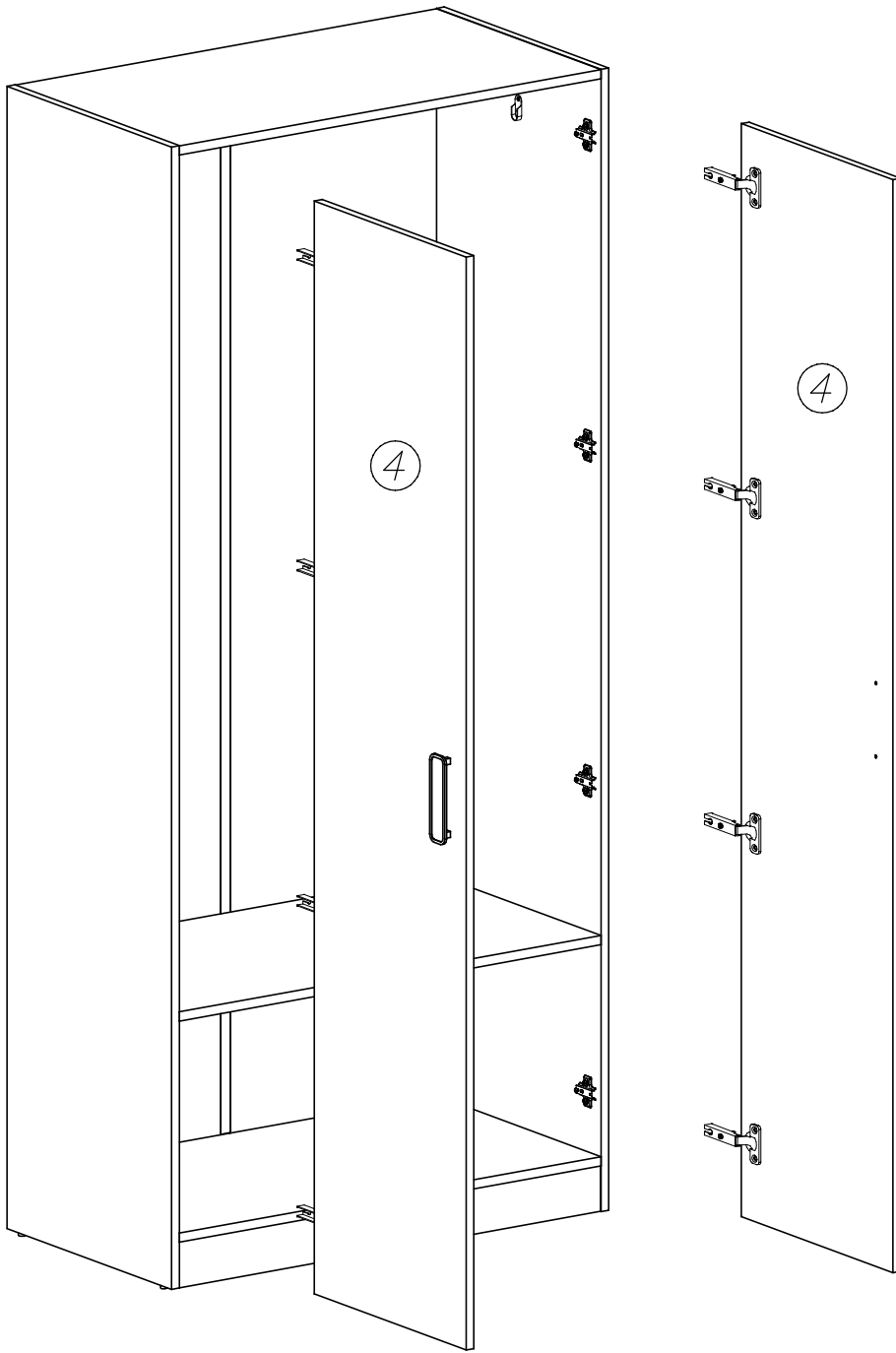


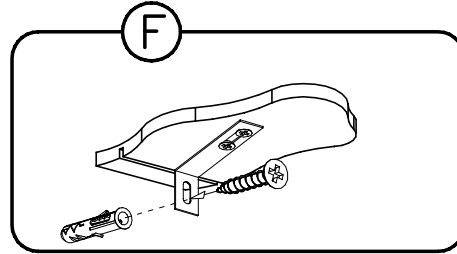
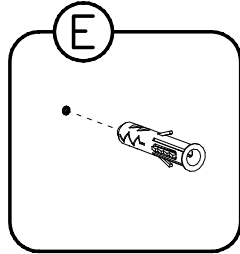
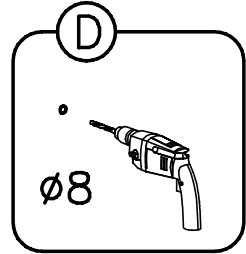
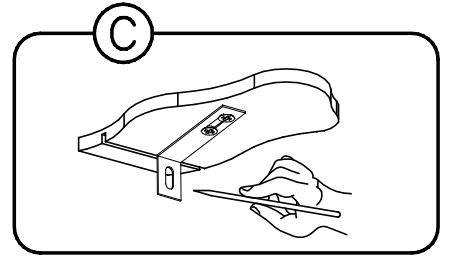
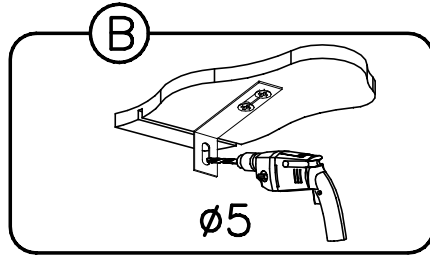
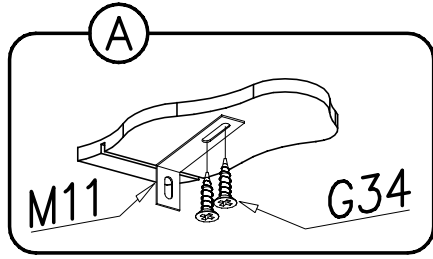
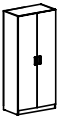
front
frente





VIII





XI

