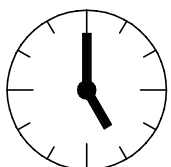
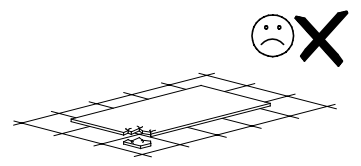
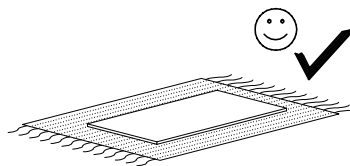
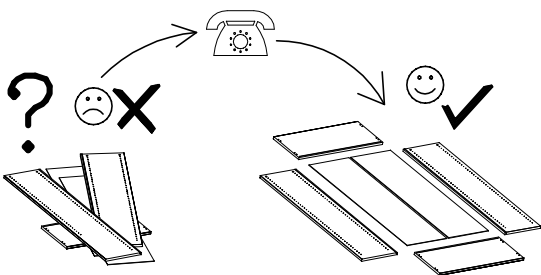
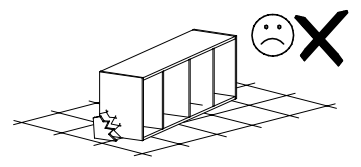
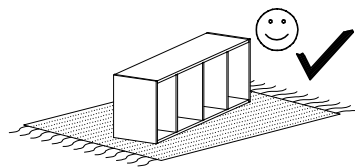
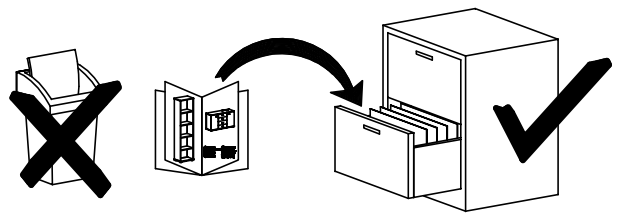
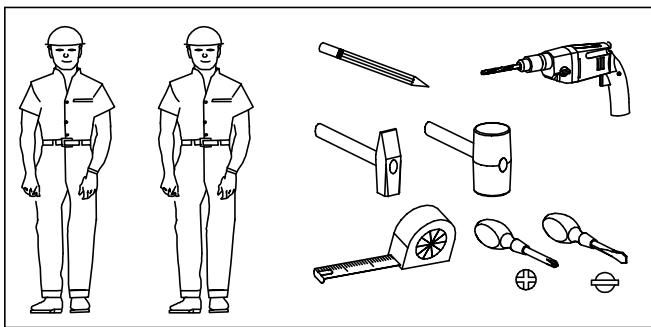
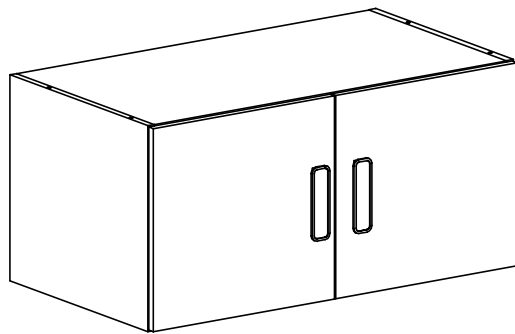
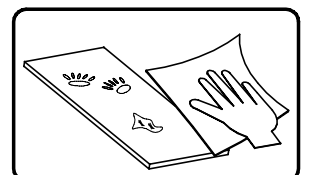
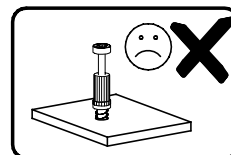
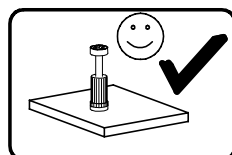
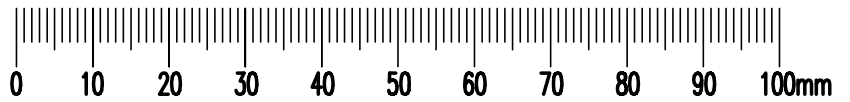
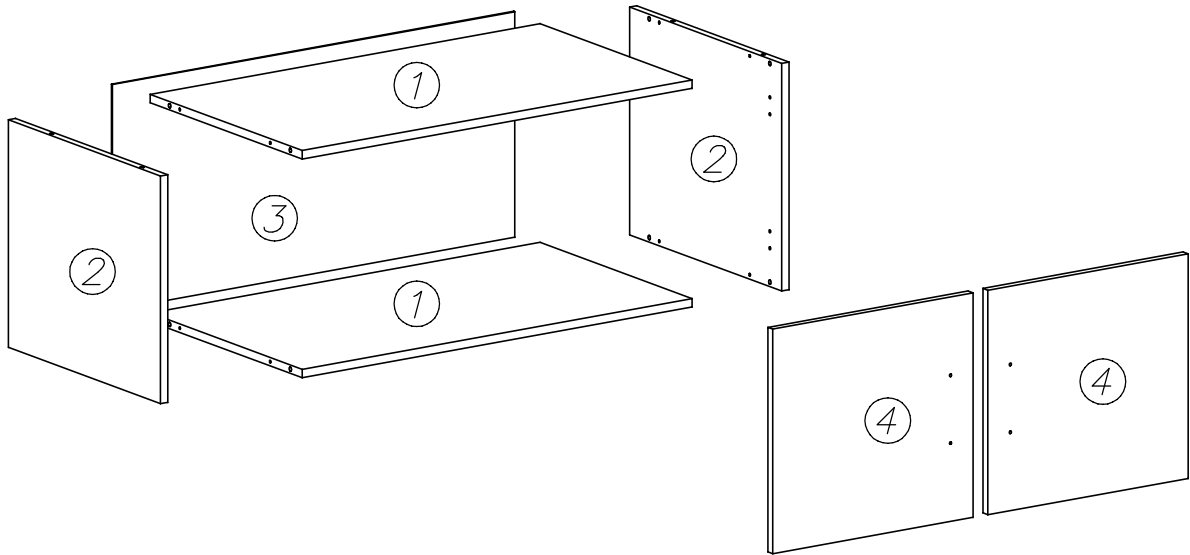
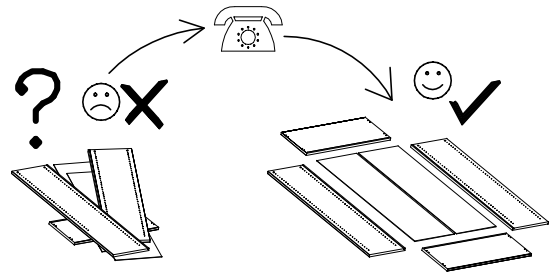
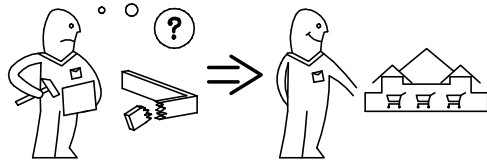
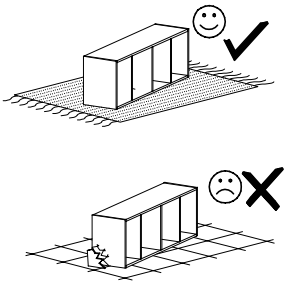



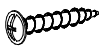
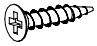
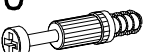

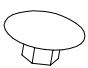
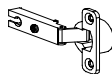
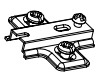

# CHAMPION ALTILLO 2P

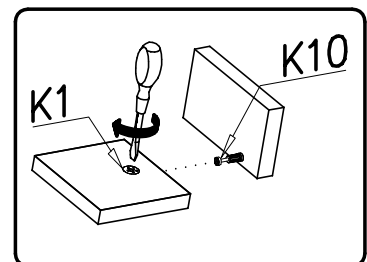
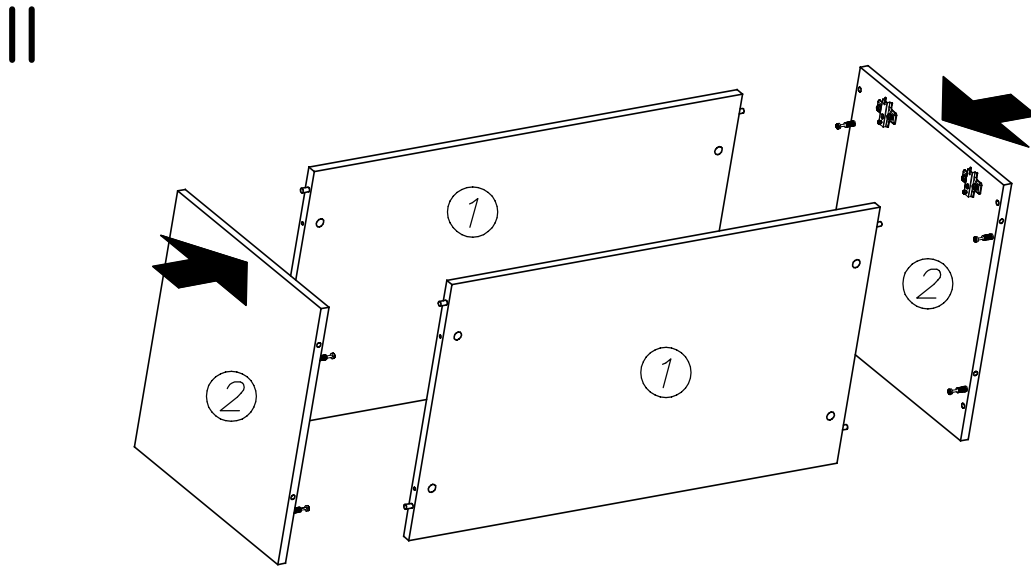
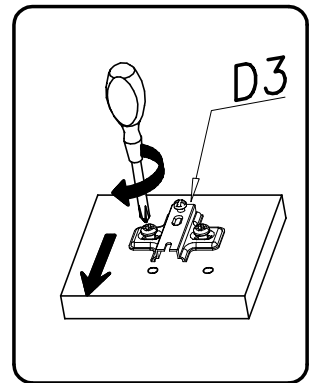
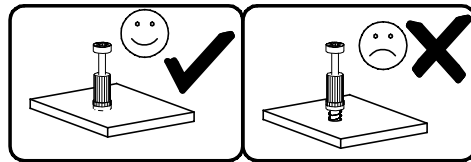
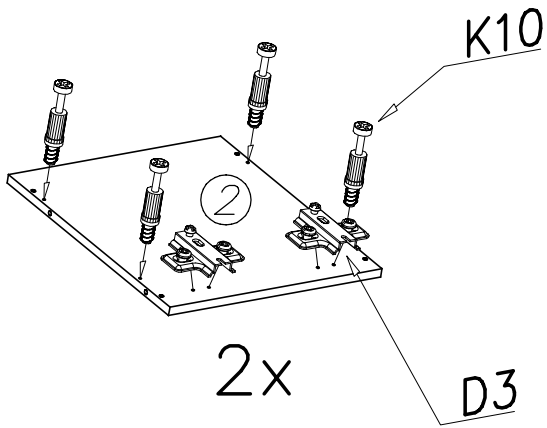
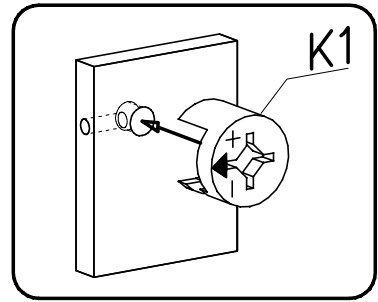
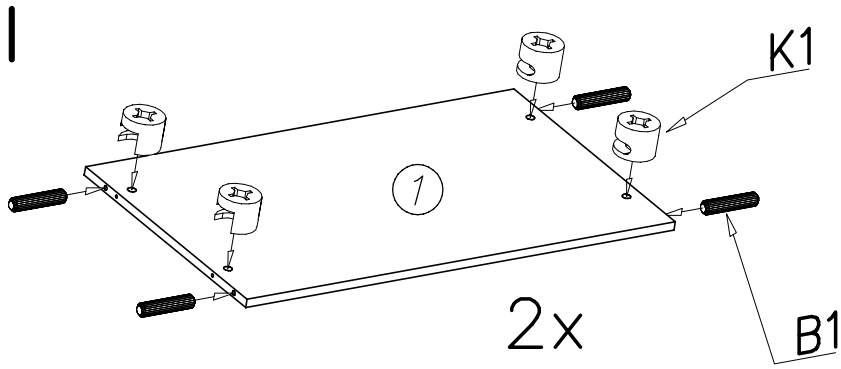
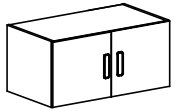


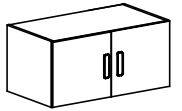
0,8h



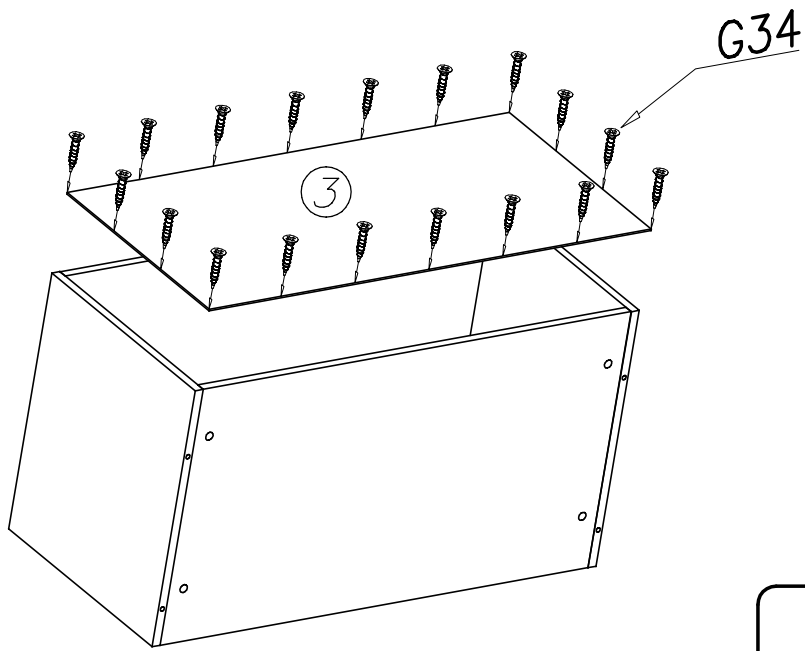
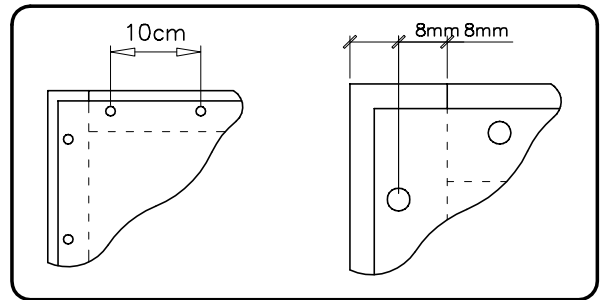
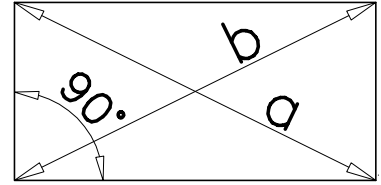


<b>K1</b>  ø15x12 x...(8)	<b>G8</b>  4x30 x...(4)	<b>G34</b>  3,5x16 x...(32)	<b>K10</b>  x...(8)	<b>B1</b>  ø8x35 x...(12)	<b>I7</b>  x...(8)	<b>C3</b>  Z35PR x...(4)	<b>D3</b>  H=2 PZ35PR x...(4)	<b>E82</b>  128mm x...(2)
--	--	--	--	--	---	---	--	--

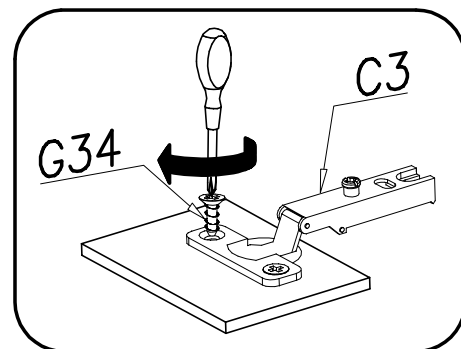
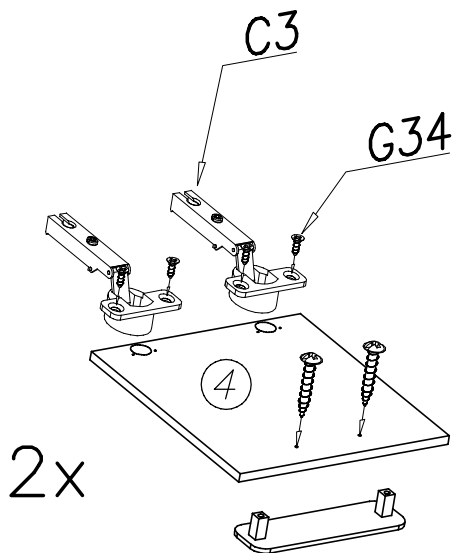


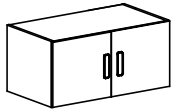


III

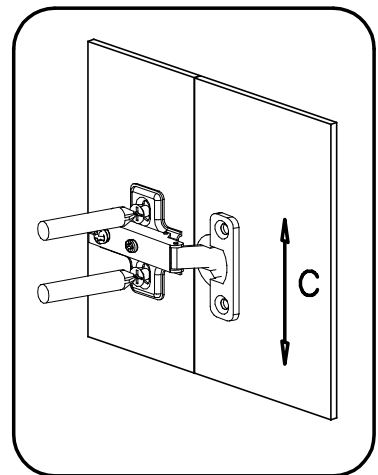
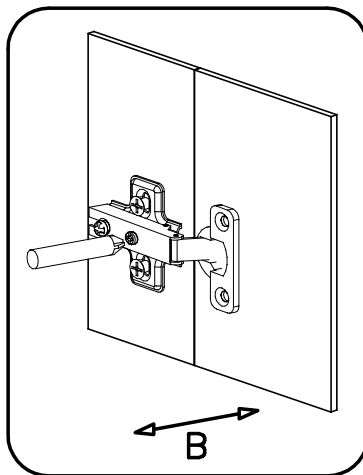
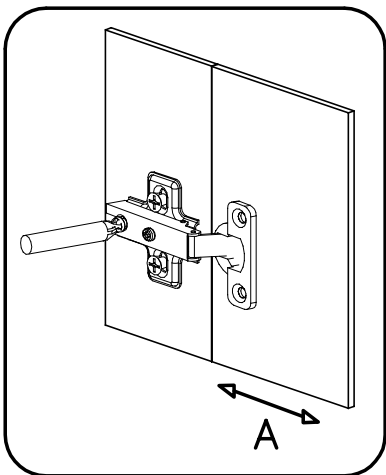
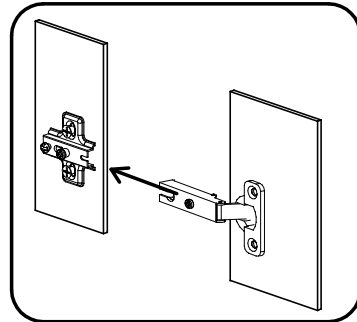
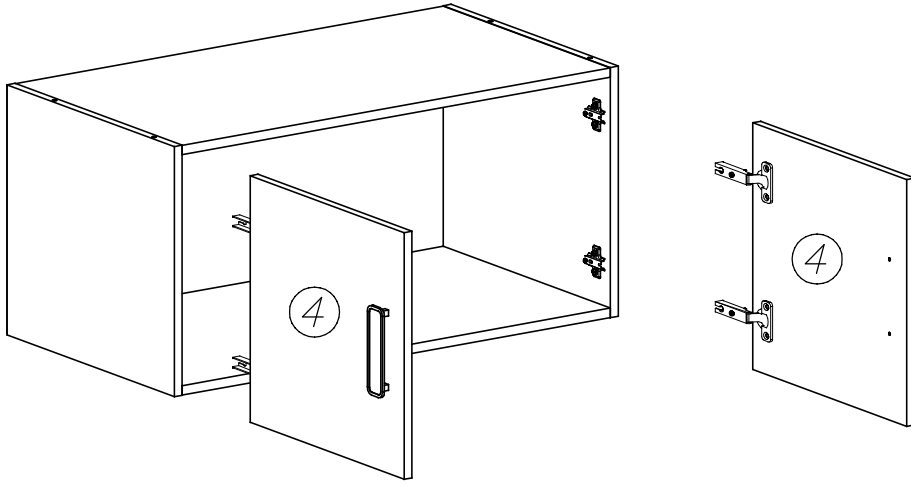
 $a = b$ 

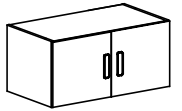
IV





V





VI

